

AMENITY WALL

DATA SHEET



GENERAL
IP65



CLASE I

The Amenity Wall range utilise the latest in LED technology and are ideal for providing low energy lighting solutions for interior, exterior environments.

This range of luminaires are an attractive yet robust solution for providing lighting to walkways, storage areas and perimeter areas.

Highlights

- Cast aluminium housing with polycarbonate lens.
- Halo affect lighting.
- Attractive and robust designs sealed to IP65.
- Simple installation.
- Available with 3 hour self contained emergency.



Dimensions



AME.RO

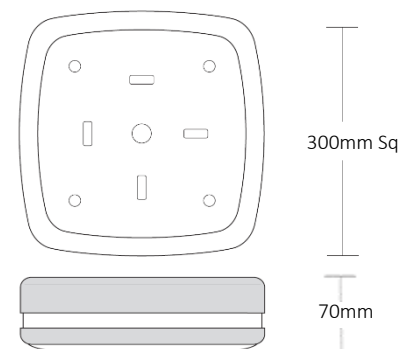
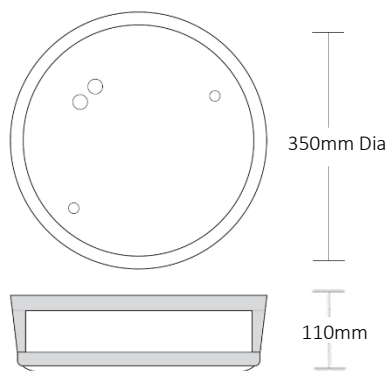
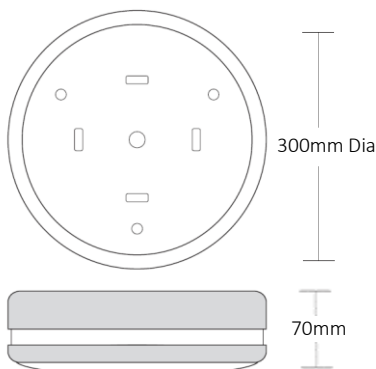
AME.RT



AME.RL



AME.SQ



Characteristics

Material	Cast aluminium housing with diffuse polycarbonate lens features a halo-effect side band. Electronic ballast 230V. Fittings manufactured according to the EN / IEC 60598.
Finish	Grey body with opal diffuser.
Electrical Specification	CI => Electrical class 1 Power Supply => 220V-240V (50Hz - 60Hz)
Emergency	Self-contained emergency available as option (.EM3). In emergency mode the fitting delivers c.190 lumens.
General Sealing	In accordance to EN 60529 the luminaire is sealed to IP65.
Operating Temperature	Up to 35°C (25°C for emergency versions)
Weight	3kg (maximum).

LED Characteristics

Light Source Luminaire designed for LED technology. Colour temperature of 4000 K.

LED Life >50,000

Performance Characteristics

Configuration	Delivered Lumens	Power Consumption
AME.RO	1250	20W
AME.RT	1250	20W
AME.RL	1250	20W
AME.SQ	1250	20W