



Heritage

Ashbourne / Woburn / Sherington

Ashbourne™ & Woburn™



The period style pendant luminaires **Woburn™** and **Ashbourne™** combine heritage aesthetics with the latest in Holophane's optical technology. High quality precision optics achieve the outstanding performance and uniformity that you would expect from a Holophane luminaire, providing two different light distributions for a variety of applications. Both luminaires are available with a range of decorative brackets and column embellishments to create a distinctive look in harmony with the surrounding architecture.

applications

- > Residential streets
- > Amenity areas
- > Entrance roads
- > Pedestrian zones
- > Shopping precincts
- > Parks
- > Town squares
- > Heritage sites

light source

Lumen packages ranging from 2,000 lm to 20,000 lumens

IP rating

IP65

approvals

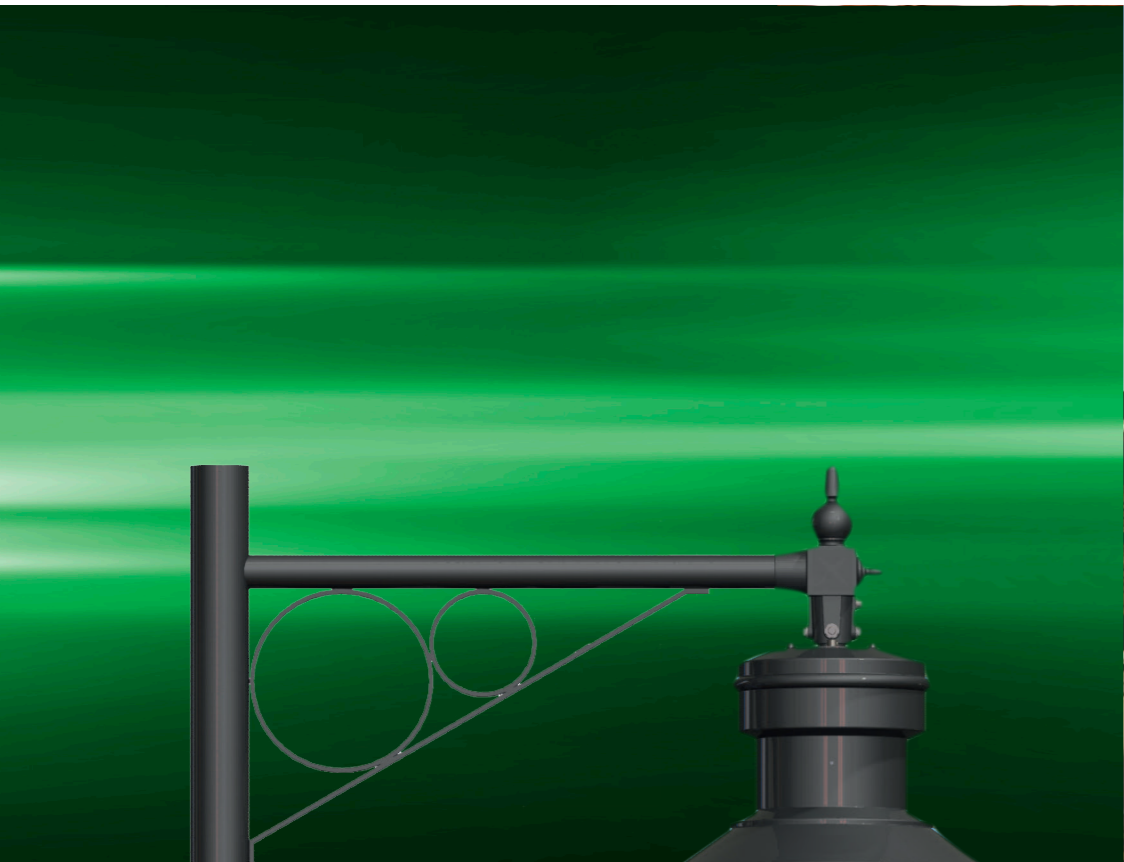
Complies with EN60598



For further information please visit the Holophane website www.holophane.co.uk

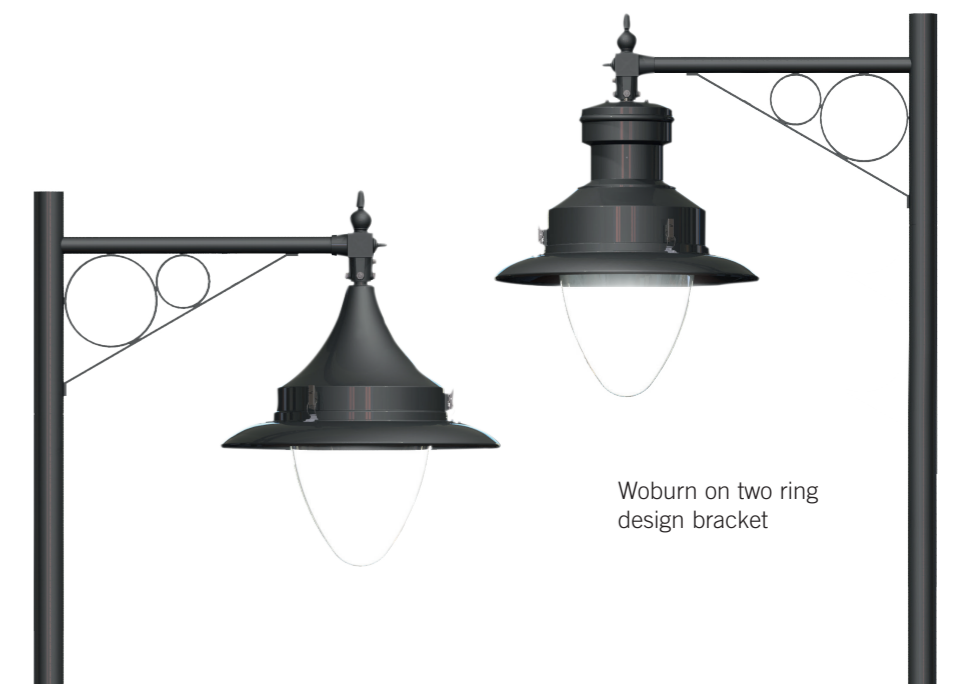
features and benefits

- Two light distributions
 - > Maximum efficiency and uniformity for any application
- Precision aluminium reflector
 - > Excellent optical performance
- Decorative brackets & column embellishments
 - > Adaptable aesthetics to blend in with the environment



^^ smithson college - milton keynes
^ woburn

Ashbourne on two ring design bracket



Woburn on two ring design bracket

specification

The luminaire shall consist of an aluminium spun canopy and a dished, clear UV stable polycarbonate enclosure, housing a combined removable gear and a hinge down optic tray for use with a range of LED lumen packages. Access to the luminaire shall be achieved by releasing two over-centre catches. The luminaire shall be suitable for pendant mounting on a range of decorative brackets via an easy fit coupling or with an 1 1/4" to 1 1/4" BSP thread. The luminaire shall be sealed to IP65 and complies with EN60598. A factory-fitted miniature photocell shall be available as an option.

windage

Luminaire

Ashbourne A1	0.18m ²
Ashbourne A2	0.22m ²
Ashbourne A3	0.24m ²
Woburn A1	0.18m ²
Woburn A2	0.22m ²
Woburn A3	0.24m ²

weights

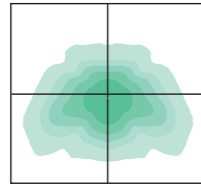
Luminaire

Ashbourne A1	11kg
Ashbourne A2	12kg
Ashbourne A3	13kg
Woburn A1	11kg
Woburn A2	12kg
Woburn A3	14kg

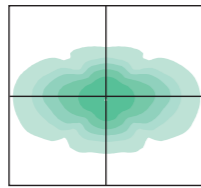


light distributions

Asymmetric (.AY)

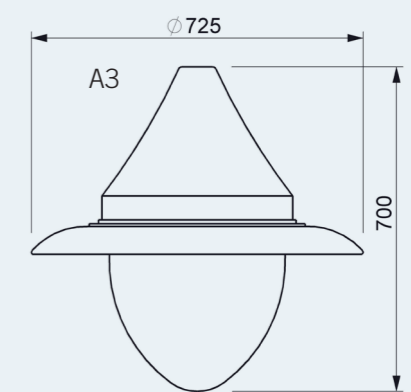
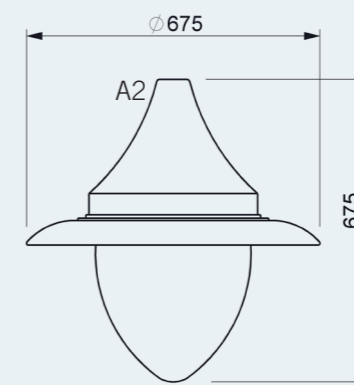
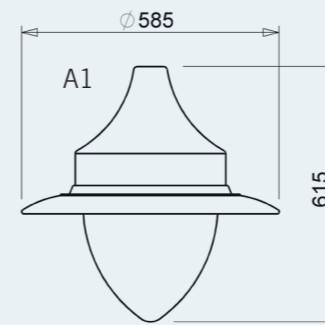


Long and Narrow (.NR)

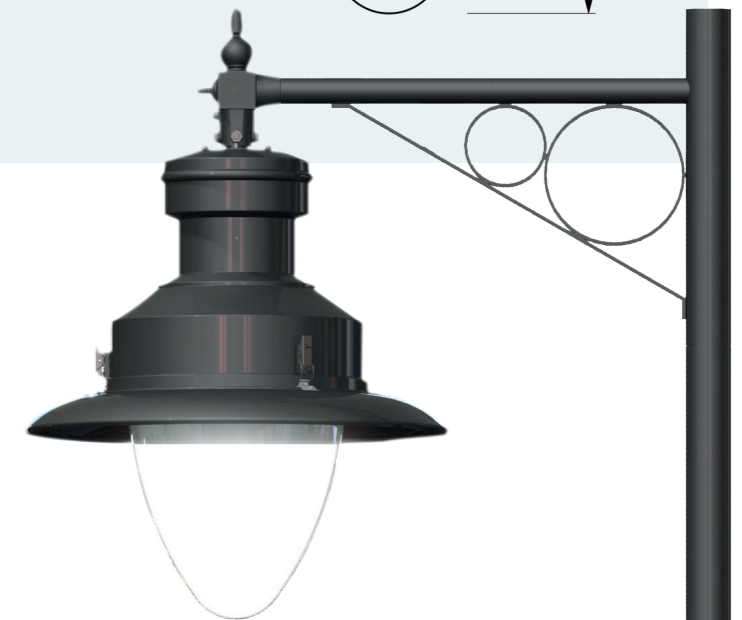
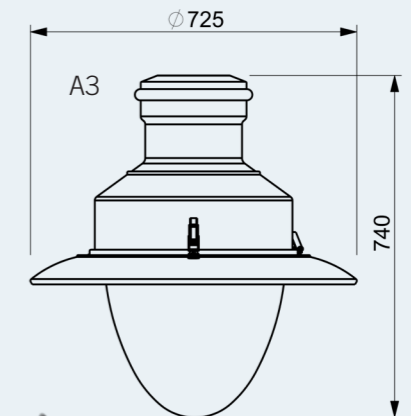
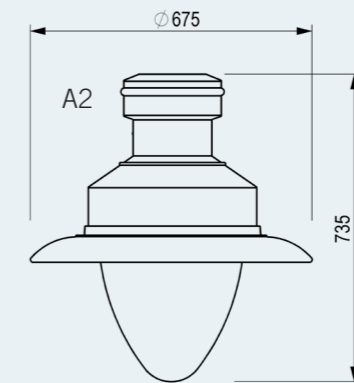
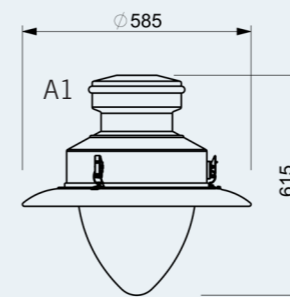


Photometric data is available at www.holophane.co.uk

ashbourne



woburn



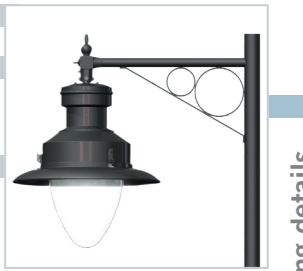
dimensions in mm

Code	Luminaire (required)	
ASN	Ashbourne Luminaire	
Code	Version (required)	
.A1	Ashbourne Size 1 - 2,000 to 10,000 lumens	
.A2	Ashbourne Size 2 - 10,000 to 17,000 lumens	
.A3	Ashbourne Size 3 - 16,000 to 20,000 lumen	
Code	Lamp Type (required)	
.L023	LED light engine producing c.2,000 lm with a nominal 3000K colour temperature	
.L024	LED light engine producing c.2,000 lm with a nominal 4000K colour temperature	
.L033	LED light engine producing c.3,000 lm with a nominal 3000K colour temperature	
.L034	LED light engine producing c.3,000 lm with a nominal 4000K colour temperature	
.L043	LED light engine producing c.4,000 lm with a nominal 3000K colour temperature	
.L044	LED light engine producing c.4,000 lm with a nominal 4000K colour temperature	
.L053	LED light engine producing c.5,000 lm with a nominal 3000K colour temperature	
.L054	LED light engine producing c.5,000 lm with a nominal 4000K colour temperature	
.L063	LED light engine producing c.6,000 lm with a nominal 3000K colour temperature	
.L064	LED light engine producing c.6,000 lm with a nominal 4000K colour temperature	
.L073	LED light engine producing c.7,000 lm with a nominal 3000K colour temperature	
.L074	LED light engine producing c.7,000 lm with a nominal 4000K colour temperature	
.L083	LED light engine producing c.8,000 lm with a nominal 3000K colour temperature	
.L084	LED light engine producing c.8,000 lm with a nominal 4000K colour temperature	
.L093	LED light engine producing c.9,000 lm with a nominal 3000K colour temperature	
.L094	LED light engine producing c.9,000 lm with a nominal 4000K colour temperature	
.L103	LED light engine producing c.10,000 lm with a nominal 3000K colour temperature	
.L104	LED light engine producing c.10,000 lm with a nominal 4000K colour temperature	
.L113	LED light engine producing c.11,000 lm with a nominal 3000K colour temperature	
.L114	LED light engine producing c.11,000 lm with a nominal 4000K colour temperature	
.L123	LED light engine producing c.12,000 lm with a nominal 3000K colour temperature	
.L124	LED light engine producing c.12,000 lm with a nominal 4000K colour temperature	
.L143	LED light engine producing c.14,000 lm with a nominal 3000K colour temperature	
.L144	LED light engine producing c.14,000 lm with a nominal 4000K colour temperature	
.L153	LED light engine producing c.15,000 lm with a nominal 3000K colour temperature	
.L154	LED light engine producing c.15,000 lm with a nominal 4000K colour temperature	
.L163	LED light engine producing c.16,000 lm with a nominal 3000K colour temperature	
.L164	LED light engine producing c.16,000 lm with a nominal 4000K colour temperature	
.L173	LED light engine producing c.17,000 lm with a nominal 3000K colour temperature	
.L174	LED light engine producing c.17,000 lm with a nominal 4000K colour temperature	
.L183	LED light engine producing c.18,000 lm with a nominal 3000K colour temperature	
.L184	LED light engine producing c.18,000 lm with a nominal 4000K colour temperature	
.L193	LED light engine producing c.19,000 lm with a nominal 3000K colour temperature	
.L194	LED light engine producing c.19,000 lm with a nominal 4000K colour temperature	
.L203	LED light engine producing c.20,000 lm with a nominal 3000K colour temperature	
.L204	LED light engine producing c.20,000 lm with a nominal 4000K colour temperature	
Code	Distribution (required)	
.AY	Asymmetric	
.NR	Long and Narrow	
Code	Fixing method (required)	
.CD	Cradle Mount	
.TE	Top Entry Easy Fit Adaptor	
Code	Colour (required)	
.RAL9005FG	Jet Black in Full gloss	
.RAL6005FG	Moss Green in Full Gloss	
.RAL3005	Wine Red	
.RAL****	Customer Specified RAL Colour	
.NC	Natural Copper Finish	
Code	Photocell (option)	
.TSZ	Zodian SS12 Photocell set to 70Lux	
.TSZA	Zodian SS12 Photocell set to 55Lux	
.TSZB	Zodian SS12 Photocell set to 35Lux	
Code	Control Gear (option)	
.LRD	DALI	
.CL7	Programmed to deliver 70% of the initial lumens over the life of the luminaire.	
.CL8	Programmed to deliver 80% of the initial lumens over the life of the luminaire.	
.CL9	Programmed to deliver 90% of the initial lumens over the life of the luminaire.	
Code	Dimming Options (option)	
.LRT56	Pre-set to dim to 50% between 12am to 6am.	
.LRT66	Pre-set to dim to 60% between 12am to 6am.	
.LRT76	Pre-set to dim to 70% between 12am to 6am.	
.LRT****	Dimming as per customer requirements	
Code	Cable Entry (option)	
.FL831	8 metres of 1.5mm ² 3 core single cable "flex" (max length catered for)	
.FL1031	10 metres of 1.5mm ² 3 core single cable "flex" (max length catered for)	
.FL1231	12 metres of 1.5mm ² 3 core single cable "flex" (max length catered for)	
.FL1431	14 metres of 1.5mm ² 3 core single cable "flex" (max length catered for)	
.FL851	8 metres of 1.5mm ² 5 core single cable "flex" (max length catered for)	
.FL1051	10 metres of 1.5mm ² 5 core single cable "flex" (max length catered for)	
.FL1251	12 metres of 1.5mm ² 5 core single cable "flex" (max length catered for)	
.FL1451	14 metres of 1.5mm ² 5 core single cable "flex" (max length catered for)	
ASN	.A1	.L0123 .AY .CD .RAL**** .TSZ .LRD .LRT56 .FL831



To find out more please visit
www.holophane.co.uk

Code	Luminaire (required)	
WBN	Woburn Luminaire	
Code	Version (required)	
.A1	Woburn Size 1 - 2,000 to 10,000 lumens	
.A2	Woburn Size 2 - 10,000 to 17,000 lumens	
.A3	Woburn Size 3 - 16,000 to 20,000 lumen	
Code	Lamp Type (required)	
.L023	LED light engine producing c.2,000 lm with a nominal 3000K colour temperature	
.L024	LED light engine producing c.2,000 lm with a nominal 4000K colour temperature	
.L033	LED light engine producing c.3,000 lm with a nominal 3000K colour temperature	
.L034	LED light engine producing c.3,000 lm with a nominal 4000K colour temperature	
.L043	LED light engine producing c.4,000 lm with a nominal 3000K colour temperature	
.L044	LED light engine producing c.4,000 lm with a nominal 4000K colour temperature	
.L053	LED light engine producing c.5,000 lm with a nominal 3000K colour temperature	
.L054	LED light engine producing c.5,000 lm with a nominal 4000K colour temperature	
.L063	LED light engine producing c.6,000 lm with a nominal 3000K colour temperature	
.L064	LED light engine producing c.6,000 lm with a nominal 4000K colour temperature	
.L073	LED light engine producing c.7,000 lm with a nominal 3000K colour temperature	
.L074	LED light engine producing c.7,000 lm with a nominal 4000K colour temperature	
.L083	LED light engine producing c.8,000 lm with a nominal 3000K colour temperature	
.L084	LED light engine producing c.8,000 lm with a nominal 4000K colour temperature	
.L093	LED light engine producing c.9,000 lm with a nominal 3000K colour temperature	
.L094	LED light engine producing c.9,000 lm with a nominal 4000K colour temperature	
.L103	LED light engine producing c.10,000 lm with a nominal 3000K colour temperature	
.L104	LED light engine producing c.10,000 lm with a nominal 4000K colour temperature	
.L113	LED light engine producing c.11,000 lm with a nominal 3000K colour temperature	
.L114	LED light engine producing c.11,000 lm with a nominal 4000K colour temperature	
.L123	LED light engine producing c.12,000 lm with a nominal 3000K colour temperature	
.L124	LED light engine producing c.12,000 lm with a nominal 4000K colour temperature	
.L143	LED light engine producing c.14,000 lm with a nominal 3000K colour temperature	
.L144	LED light engine producing c.14,000 lm with a nominal 4000K colour temperature	
.L153	LED light engine producing c.15,000 lm with a nominal 3000K colour temperature	
.L154	LED light engine producing c.15,000 lm with a nominal 4000K colour temperature	
.L163	LED light engine producing c.16,000 lm with a nominal 3000K colour temperature	
.L164	LED light engine producing c.16,000 lm with a nominal 4000K colour temperature	
.L173	LED light engine producing c.17,000 lm with a nominal 3000K colour temperature	
.L174	LED light engine producing c.17,000 lm with a nominal 4000K colour temperature	
.L183	LED light engine producing c.18,000 lm with a nominal 3000K colour temperature	
.L184	LED light engine producing c.18,000 lm with a nominal 4000K colour temperature	
.L193	LED light engine producing c.19,000 lm with a nominal 3000K colour temperature	
.L194	LED light engine producing c.19,000 lm with a nominal 4000K colour temperature	
.L203	LED light engine producing c.20,000 lm with a nominal 3000K colour temperature	
.L204	LED light engine producing c.20,000 lm with a nominal 4000K colour temperature	
Code	Distribution (required)	
.AY	Asymmetric	
.NR	Long and Narrow	
Code	Fixing method (required)	
.CD	Cradle Mount	
.TE	Top Entry Easy Fit Adaptor	
Code	Colour (required)	
.RAL9005FG	Jet Black in Full gloss	
.RAL6005FG	Moss Green in Full Gloss	
.RAL3005	Wine Red	
.RAL****	Customer Specified RAL Colour	
Code	Photocell (option)	
.TSZ	Zodian SS12 Photocell set to 70Lux	
.TSZA	Zodian SS12 Photocell set to 55Lux	
.TSZB	Zodian SS12 Photocell set to 35Lux	
Code	Control Gear (option)	
.LRD	DALI	
.CL7	Programmed to deliver 70% of the initial lumens over the life of the luminaire.	
.CL8	Programmed to deliver 80% of the initial lumens over the life of the luminaire.	
.CL9	Programmed to deliver 90% of the initial lumens over the life of the luminaire.	
Code	Dimming Options (option)	
.LRT56	Pre-set to dim to 50% between 12am to 6am.	
.LRT66	Pre-set to dim to 60% between 12am to 6am.	
.LRT76	Pre-set to dim to 70% between 12am to 6am.	
.LRT****	Dimming as per customer requirements	
Code	Cable Entry (option)	
.FL831	8 metres of 1.5mm ² 3 core single cable "flex" (max length catered for)	
.FL1031	10 metres of 1.5mm ² 3 core single cable "flex" (max length catered for)	
.FL1231	12 metres of 1.5mm ² 3 core single cable "flex" (max length catered for)	
.FL1431	14 metres of 1.5mm ² 3 core single cable "flex" (max length catered for)	
.FL851	8 metres of 1.5mm ² 5 core single cable "flex" (max length catered for)	
.FL1051	10 metres of 1.5mm ² 5 core single cable "flex" (max length catered for)	
.FL1251	12 metres of 1.5mm ² 5 core single cable "flex" (max length catered for)	
.FL1451	14 metres of 1.5mm ² 5 core single cable "flex" (max length catered for)	
WBN	.A1	.L0123 .AY .CD .RAL**** .TSZ .LRD .LRT56 .FL831



To find out more please visit
www.holophane.co.uk

Example

Example

Lumen data is considered to be representative of the configuration shown, and may vary, with a tolerance on flux of +/- 7% (typical of LED manufacturers data) and luminaire power of +/- 5%.

Lumen data is considered to be representative of the configuration shown, and may vary, with a tolerance on flux of +/- 7% (typical of LED manufacturers data) and luminaire power of +/- 5%.

Sherington™



^^ hackney churchyard - london
^ sherington village - milton keynes

The traditional look of this hand-crafted copper lantern in the style of a Victorian gas lantern belies the up-to-date technology within. Its optical assembly with a Holophane precision optics provides two different light distributions for outstanding performance and uniformity. A range of decorative brackets and column embellishments are available to adapt the appearance of the luminaire to its surroundings. The combination of this decorative heritage lantern with Holophane's modern optical technology offers a traditional, period-style appearance without compromising the need to maintain lighting standards.

features and benefits

- Brass reinforced side ribs
 - > Enhanced durability
- Two light distributions
 - > Maximising efficiency and uniformity for any application
- Excellent optical performance
- Decorative brackets & column embellishments
 - > Adaptable aesthetics to blend in with the environment
- Tool-free access
 - > Easy maintenance

applications

- > Residential streets
- > Amenity areas
- > Entrance roads
- > Pedestrian zones
- > Shopping precincts
- > Parks
- > Town squares
- > Heritage sites

light source

Lumen packages ranging from 2,000 lm to 14,000 lumens

IP rating

IP65

approvals

Complies with EN60598

For further information please visit the Holophane website www.holophane.co.uk



Sherington with Wrought Frog

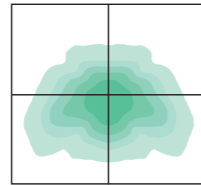
ordering details sherington luminaire

specification

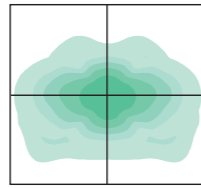
The luminaire shall consist of a hand crafted copper frame with brass reinforcing rods secured in frame corners and a period style tent canopy housing the control gear for use with a range of LED lumen packages. The frame shall hold one-piece UV stable. The luminaire shall be suitable for 76mm post-top mounting via a frog bracket made of zinc sprayed and powder-coated steel. The luminaire shall be sealed to IP65 and complies with EN60598. A factory-fitted miniature photocell shall be available as an option. A range of complementary columns, brackets and optional column embellishments shall also be available.

light distributions

Asymmetric (.AY)



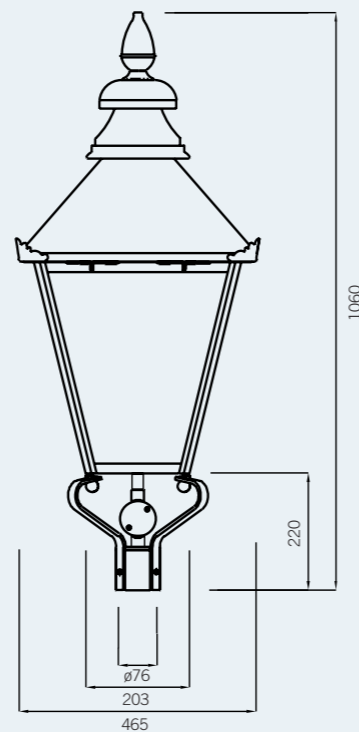
Long and Narrow (.NR)



Photometric data is available at www.holophane.co.uk



dimensions in mm



Sherington with Cast Frog



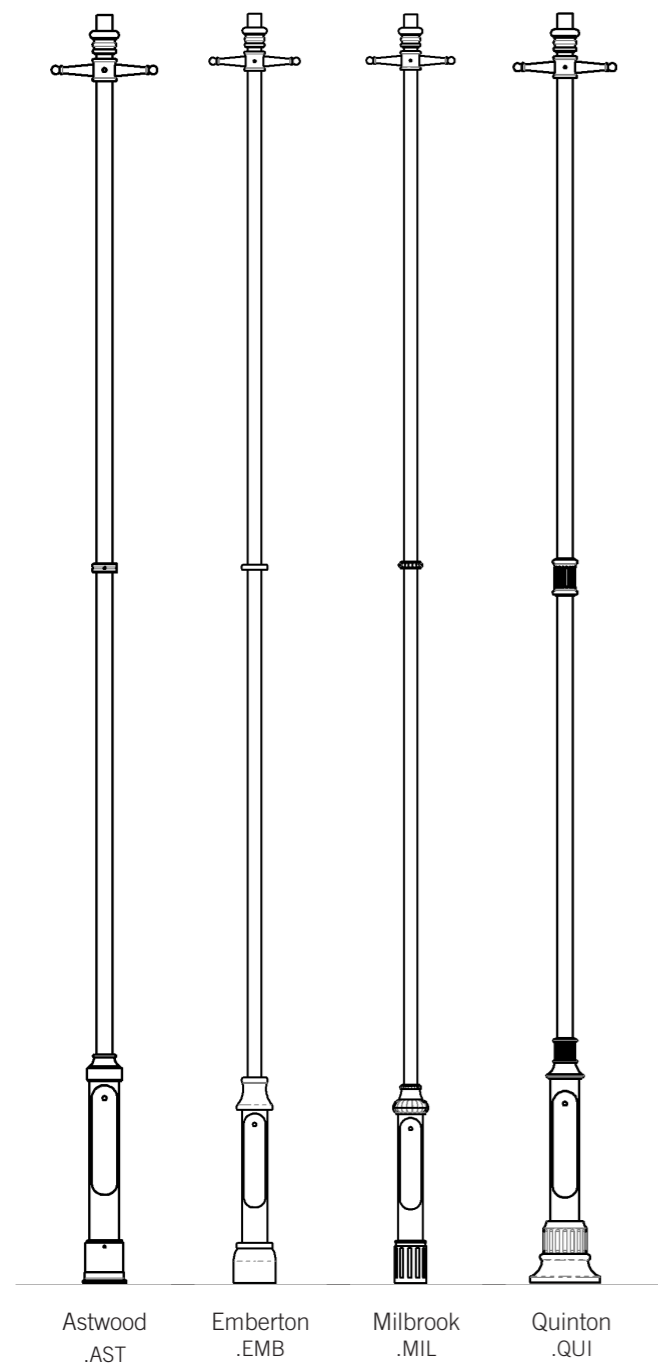
To find out more please visit www.holophane.co.uk

Code	Luminaire (required)
SHN	Sherington Luminaire
Code	Lamp Type (required)
.L023	LED light engine producing c.2,000 lm with a nominal 3000K colour temperature
.L024	LED light engine producing c.2,000 lm with a nominal 4000K colour temperature
.L033	LED light engine producing c.3,000 lm with a nominal 3000K colour temperature
.L034	LED light engine producing c.3,000 lm with a nominal 4000K colour temperature
.L043	LED light engine producing c.4,000 lm with a nominal 3000K colour temperature
.L044	LED light engine producing c.4,000 lm with a nominal 4000K colour temperature
.L053	LED light engine producing c.5,000 lm with a nominal 3000K colour temperature
.L054	LED light engine producing c.5,000 lm with a nominal 4000K colour temperature
.L063	LED light engine producing c.6,000 lm with a nominal 3000K colour temperature
.L064	LED light engine producing c.6,000 lm with a nominal 4000K colour temperature
.L073	LED light engine producing c.7,000 lm with a nominal 3000K colour temperature
.L074	LED light engine producing c.7,000 lm with a nominal 4000K colour temperature
.L083	LED light engine producing c.8,000 lm with a nominal 3000K colour temperature
.L084	LED light engine producing c.8,000 lm with a nominal 4000K colour temperature
.L093	LED light engine producing c.9,000 lm with a nominal 3000K colour temperature
.L094	LED light engine producing c.9,000 lm with a nominal 4000K colour temperature
.L103	LED light engine producing c.10,000 lm with a nominal 3000K colour temperature
.L104	LED light engine producing c.10,000 lm with a nominal 4000K colour temperature
.L113	LED light engine producing c.11,000 lm with a nominal 3000K colour temperature
.L114	LED light engine producing c.11,000 lm with a nominal 4000K colour temperature
.L123	LED light engine producing c.12,000 lm with a nominal 3000K colour temperature
.L124	LED light engine producing c.12,000 lm with a nominal 4000K colour temperature
.L143	LED light engine producing c.14,000 lm with a nominal 3000K colour temperature
.L144	LED light engine producing c.14,000 lm with a nominal 4000K colour temperature
Code	Distribution (required)
.AY	Asymmetric
.NR	Long and Narrow
Code	Fixing method (required)
.WF	Wrought Frog
.CF	Cast Frog
Code	Colour (required)
.RAL9005FG	Jet Black in Full gloss
.RAL6005FG	Moss Green in Full Gloss
.RAL3005	Wine Red
.RAL****	Customer Specified RAL Colour
.NC	Natural Copper Finish
Code	Photocell (option)
.TSZ	Zodian SS12 Photocell set to 70Lux
.TSZA	Zodian SS12 Photocell set to 55Lux
.TSZB	Zodian SS12 Photocell set to 35Lux
Code	Control Gear (option)
.LRD	DALI
.CL7	Programmed to deliver 70% of the initial lumens over the life of the luminaire.
.CL8	Programmed to deliver 80% of the initial lumens over the life of the luminaire.
.CL9	Programmed to deliver 90% of the initial lumens over the life of the luminaire.
Code	Dimming Options (option)
.LRT56	Pre-set to dim to 50% between 12am to 6am.
.LRT66	Pre-set to dim to 60% between 12am to 6am.
.LRT76	Pre-set to dim to 70% between 12am to 6am.
.LRT****	Dimming as per customer requirements
Code	Cable Entry (option)
.FL831	8 metres of 1.5mm ² 3 core single cable "flex" (max length catered for)
.FL1031	10 metres of 1.5mm ² 3 core single cable "flex" (max length catered for)
.FL1231	12 metres of 1.5mm ² 3 core single cable "flex" (max length catered for)
.FL1431	14 metres of 1.5mm ² 3 core single cable "flex" (max length catered for)
.FL851	8 metres of 1.5mm ² 5 core single cable "flex" (max length catered for)
.FL1051	10 metres of 1.5mm ² 5 core single cable "flex" (max length catered for)
.FL1251	12 metres of 1.5mm ² 5 core single cable "flex" (max length catered for)
.FL1451	14 metres of 1.5mm ² 5 core single cable "flex" (max length catered for)
SHN	.L023 .AY .WF .RAL**** .TSZ .LRD .LRT56 .FL831

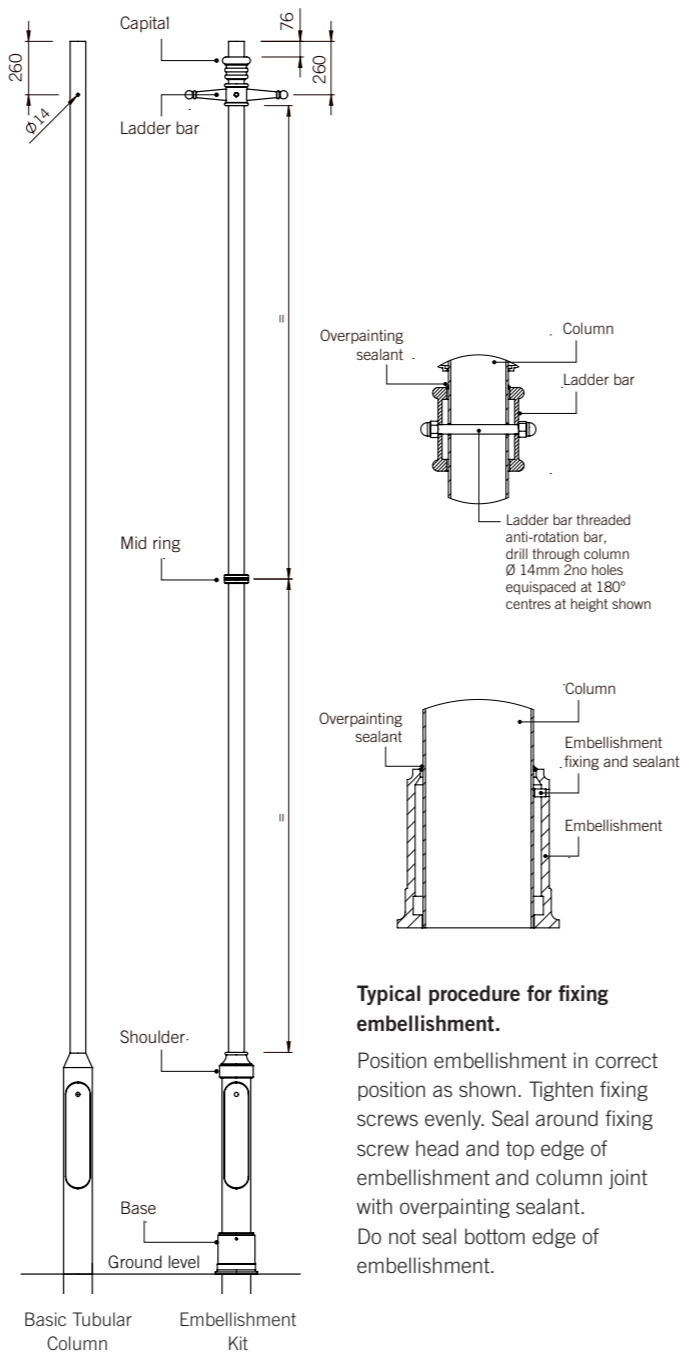
Example

Lumen data is considered to be representative of the configuration shown, and may vary, with a tolerance on flux of +/- 7% (typical of LED manufacturers data) and luminaire power of +/- 5%.

columns



embellishment kit fitting instructions



Typical procedure for fixing embellishment.

Position embellishment in correct position as shown. Tighten fixing screws evenly. Seal around fixing screw head and top edge of embellishment and column joint with overpainting sealant. Do not seal bottom edge of embellishment.

column brackets windage

Two Rings	0.75m	1.25m
76mmø	0.16m ²	0.21m ²
89mmø	0.16m ²	0.21m ²
114mmø	0.17m ²	0.22m ²

Scroll	0.75m	1.25m
76mmø	0.15m ²	0.21m ²
89mmø	0.15m ²	0.21m ²
114mmø	0.16m ²	0.22m ²

luminaire windage

Luminaire	
Ashbourne A1	0.18m ²
Ashbourne A2	0.22m ²
Ashbourne A3	0.24m ²
Woburn A1	0.18m ²
Woburn A2	0.22m ²
Woburn A3	0.24m ²
Sherington	0.23m ²

luminaire weights

Luminaire	
Ashbourne A1	11kg
Ashbourne A2	12kg
Ashbourne A3	13kg
Woburn A1	11kg
Woburn A2	12kg
Woburn A3	14kg
Sherington	14kg

column brackets weights

To fit shaft diameter	76mmø	89mmø	114mmø
Two Rings 0.75m	19kg	20kg	22kg
Three Rings 1.25m	23kg	24kg	30kg
Scroll 0.75m	18kg	19kg	21kg
Scroll 1.25m	22kg	3kg	29kg

column shaft / base diameter mm

Column height	Single bracket		Twin Bracket	
	shaftø	baseø	shaftø	baseø
4m	76	140	76	140
5m	76	140	89	168
6m	89	168	114	168
7m	114	168	114	168
8m	114	168	114	168



ordering details
columns & brackets

Code	Column (required)
HRTB	Heritage Tubular Compartment Column
Code	Version (required)
.AST	Astwood
.EMB	Emberton
.MIL	Millbrook
.QUI	Quintonn
Code	Height (required)
.3	3 metre
.4	4 metre
.5	5 metre
.6	6 metre
.8	8 metre
.10	10 metre
.12	12 metre
Code	Bracket (required)
.PT	Post top (60-76mm post top mounting)
.1AC	Single camber design bracket with 0.75m outreach
.2AC	Twin camber design bracket with 0.75m outreach
.1ACL	Single camber design bracket with 1.25m outreach
.2ACL	Twin camber design bracket with 1.25m outreach
.1AS	Single scroll design bracket with 0.75m outreach
.2AS	Twin scroll design bracket with 0.75m outreach
.1ASL	Single scroll design bracket with 1.25m outreach
.2ASL	Twin scroll design bracket with 1.25m outreach
.1A2	Single two ring design bracket with 0.75m Outreach
.2A2	Twin two ring design bracket with 0.75m outreach
.1A2L	Single two ring design bracket with 1.25m Outreach
.2A2L	Twin two ring design bracket with 1.25m outreach
Code	Windzone (required)
.LMZ	For light & medium area wind zones (compliant to EN40)
.HVZ	For heavy area wind zones (compliant to EN40)
.HEZ	For extra heavy area wind zones (compliant to EN40)
Code	Flange Base (required)
.FB1	Flange base size 1 able to be buried
.FB2	Flange base size 2 able to be burie
Code	Colour (required)
.RAL9005FG	Jet Black in Full gloss
.RAL6005FG	Moss Green in Full Gloss
.RAL3005	Wine Red
.RAL****	Customer Specified RAL Colour
HRTB	.AST .3 .PT .LMZ .FB1 .RAL****

Example





Heritage



Holophane Europe Limited
Bond Avenue, Bletchley, Milton Keynes MK1 1JG United Kingdom
Telephone: +44 (0) 1908 649292 UK Fax: +44 (0) 1908 367618
International Fax: +44 (0) 1908 363789
E-mail: info@holophane.co.uk

www.holophane.co.uk

