

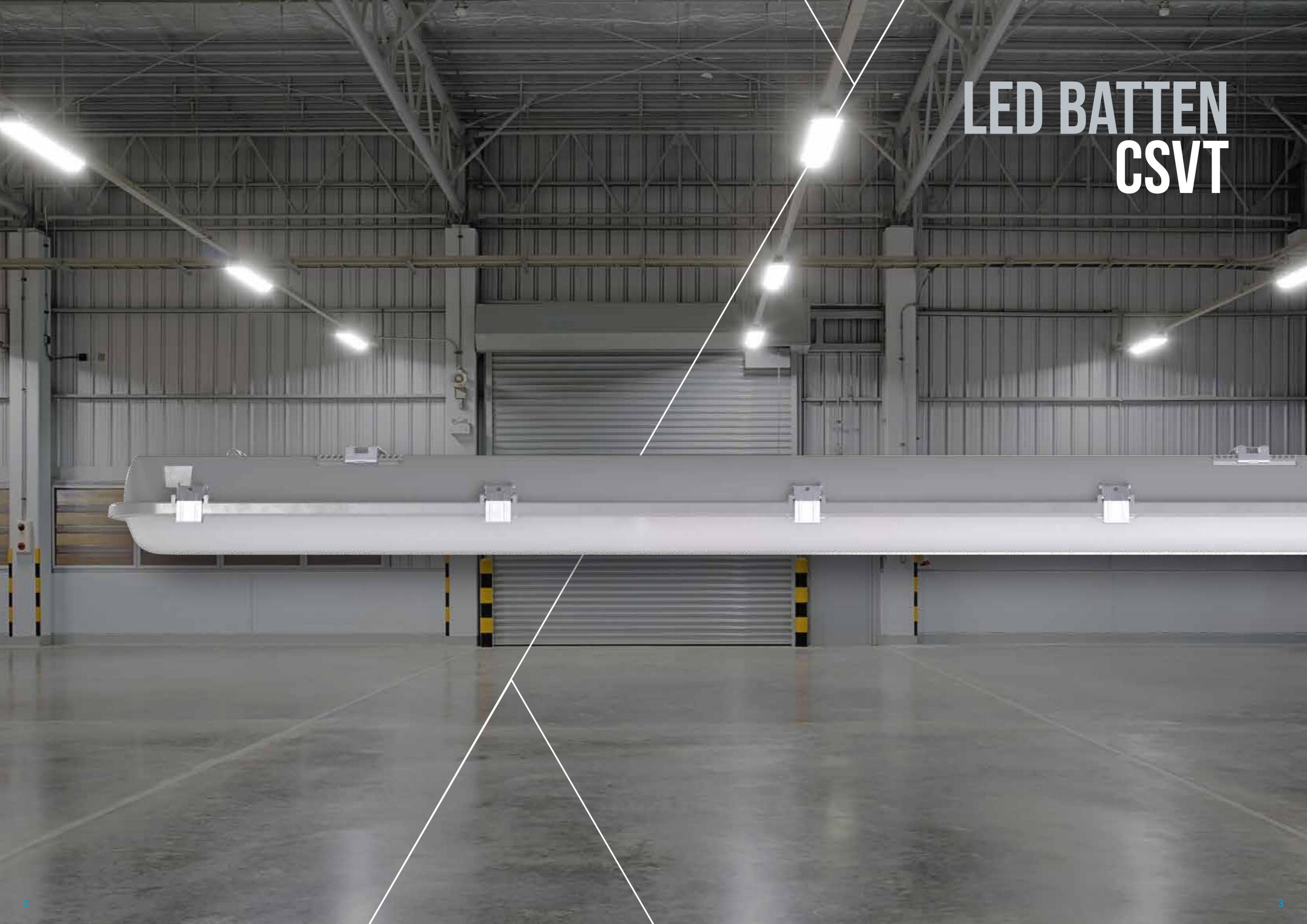
CSVT



HOLOPHANE®



LED BATTEN CSV



LED BATTEN CSV T

CSV T is a latest generation LED linear batten designed to directly replace existing T5 and T8 fluorescent luminaires.

CSV T is suitable for a wide range of applications, even in the most demanding of environment. The CSV T design allows for fast installation, long system life and easy maintenance.

For added lighting control and increased energy savings, CSV T is available with a tiered range of integrated controls solutions. From simple on/off PIR control through to Cloud-based control and reporting systems.

Overall CSV T offers a comprehensive solution to suit different commercial needs.

For over 125 years Holophane has enjoyed an enviable reputation throughout the world for expertise, quality and innovation in Lighting. From the earliest days, when the company pioneered its famous glass refractor, the Holophane name has been ever present as a leader in the field of luminaire and lighting design. **CSV T** is a continuation of this proud tradition and builds on our heritage of designing luminaires with exceptional optical performance and thermal management which fused together deliver a solution that is future-proof and fully serviceable.

Applications

- Factories
- Production Areas
- Manufacturing
- Warehouses
- Assembly Areas
- Logistics Centres
- Mezzanines

Overview

- Available with lumen ranges from 2,000 to 7,000 (delivered lumens).
- Frosted diffuser offering a symmetric distribution.
- 4000K
- CRI > 80.
- Efficacies of up to 155 lpw.
- Available with integrated control and emergency options (c.650lm in emergency mode).
- System Life – 50,000 Hrs at 25°C

Approvals



Complies with EN60598

IP65

-25°C to +50°C

Preliminary CIBSE TM66 (CEAM) Rating: 2.2 - Definite/substantial progress to circularity.



For further information please visit the Holophane website www.holophane.co.uk

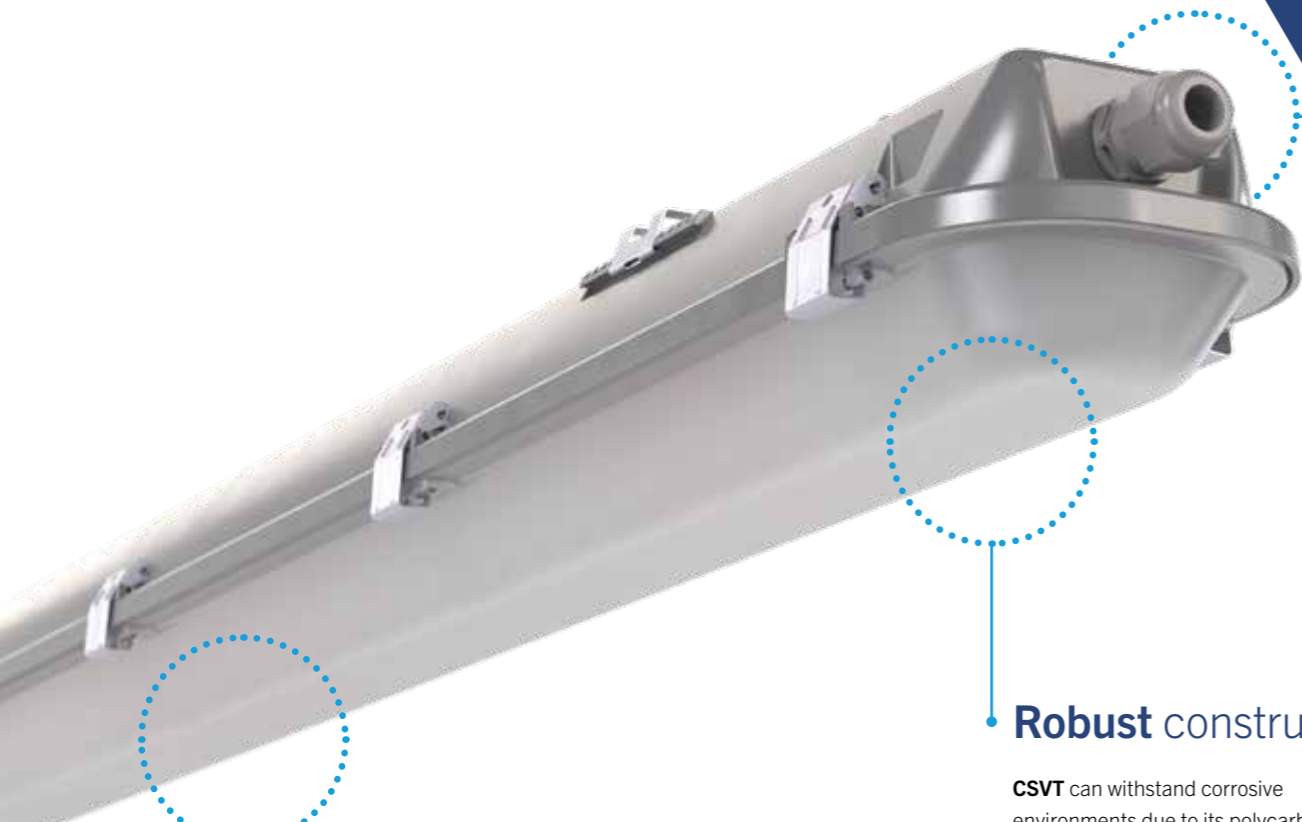
CSV T OVERVIEW

LED BATTEN CSV T

IP65

IK09

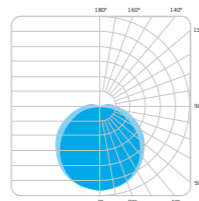
155
lm/W



Robust construction

CSV T can withstand corrosive environments due to its polycarbonate body and diffuser construction.

The Stainless steel latches and brackets also are suitable for these environments. For enhanced protection plastic latches are also available as an option.



Symmetric (.SY)

Frosted diffuser

CSV T comes standard with a frosted polycarbonate diffuser producing a symmetric distribution.

1200mm (c.4ft) length



Multiple entry points

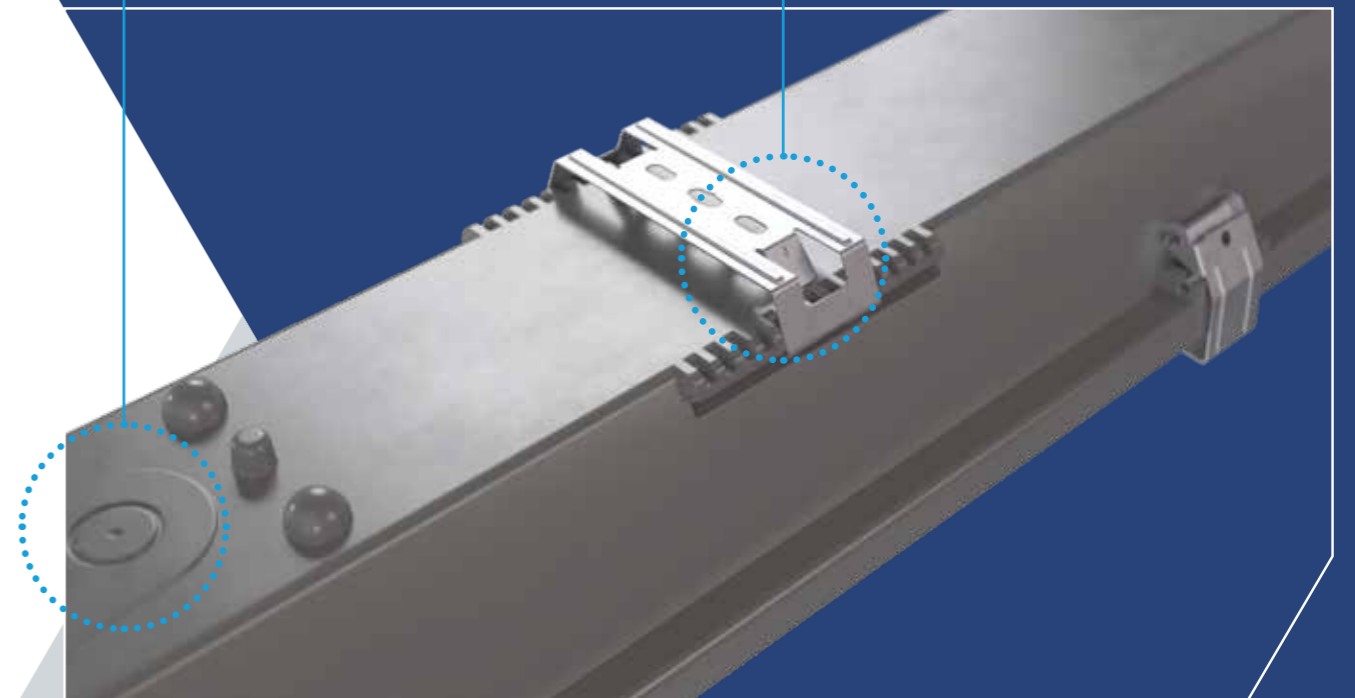
CSV T has multiple entry points to allow for flexible power termination. As standard CSV T comes with a M20 cable gland.

CSV T can be easily drilled at marked areas on the body to allow through cable entry through the top or sides.

Easy mounting

CSV T features two stainless steel mounting brackets that allow for surface or suspension mounting (suspension kit sold separately).

For surface mounting simply secure the brackets to a surface and clip the batten into the brackets.



One platform. Total visibility.

Unified control. Indoors and out.

HOLOSOOne is Holophane's intelligent wireless lighting controls platform that unifies lighting control across your entire site. From production halls and warehouses to access roads and yards, it provides complete visibility and control—indoors and out.

Trusted technology. Proven performance.

Built on secure Silvaair Bluetooth NLC Mesh and backed by over 125 years of lighting expertise, HOLOSOOne delivers scalable performance and built-in sustainability—giving you control you can trust.

One open standard. Every space.

While traditional systems often separate interior and exterior zones, HOLOSOOne simplifies everything with open-standard protocols and hardware designed for both indoor and outdoor applications—reducing complexity and future-proofing your infrastructure.

Scalable architecture. Simple to deploy.

The system can operate in standalone mesh mode, configured via a Bluetooth-enabled mobile device, or scale to a cloud-connected solution. With support for up to 200 devices per gateway, HOLOSOOne offers real-time access to diagnostics, scheduling, and energy reports.

Gateway(s) required for remote access, automated diagnostics, energy reporting and heat map visualisation.

Smarter strategies. Lower emissions.

From daylight harvesting and occupancy sensing to emergency reporting, HOLOSOOne puts every energy-saving strategy at your fingertips—designed to cut emissions and simplify lighting management.



Controlled Technology

HOLOSOOne

Technology Partner **SILVAIR**

Operating platforms.

Platform 1 (local system)

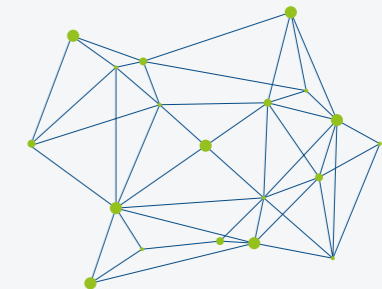
Platform 1 allows for **independent and localised lighting control**, ideal for when on-site management of your lighting system is essential and where the luminaires can be easily accessed for configuration.

Independent control



and / or

Localised control



Platform 2 (remote system)

Platform 2 provides users with **more freedom to manage their sites remotely**, both on and off-site, without being within the range of the lighting network to configure changes. This is ideal for situations where monitoring multiple sites from a central location is crucial and updates can be applied to all devices remotely.

Cloud control



Features	Platform 1 (local system)	Platform 2 (remote system)
PIR occupancy and vacancy sensing	✓	✓
Daylight harvesting	✓	✓
Photocell control	✓	✓
Scene setting control	✓	✓
Lighting zones and zone linking	✓	✓
Local emergency scheduling and reporting	✓	✓
Time-based scheduling	✓	✓
Energy monitoring and reporting		✓
Occupancy heat map visualisation		✓
Remote emergency scheduling and reporting		✓
Gateway (subscription required)		✓



Scan to discover how our service plans keep your system running at its best.

SPECIFICATION & PERFORMANCE

Specification

Holophane CSVT LED linear batten shall consist of a 1200mm polycarbonate housing which features a 'poured in place' polyurethane gasket and a frosted polycarbonate lens. The luminaire shall be sealed to IP65 and rated to IK09. CSVT can be either ceiling or surface mounted. Cable termination is via a factory fitted side-entry M20 cable gland with cut-out areas for top entry termination (suitable sealing provided by others). The design allows for fast installation via the stainless steel brackets and stainless steel latches that allow quick access for easy maintenance. Preliminary CIBSE TM66 (CEAM) Rating: 2.2 - Definite/substantial progress to circularity.

Detailed specification

Mechanical			
Materials	Paint colour	IP Rating	IK Rating
Polycarbonate body and diffuser Stainless-steel latches and brackets	Smooth grey (RAL7035)	IP65	IK09
Mounting Type	Mounting height	Ambient operating temperature	Weight
Surface/Suspension	3m - 6m	-25°C to +50°C	2.5-3.0 kg
Cable Entry	Through-wiring		
1x Side-entry M20 cable gland fitted at factory. 2 x top-entry and 1 x additional side-entry (drilled and sealed by installer)	Yes (consult installation instructions)		
Light Output			
Lumens	Power	Driver current	Efficacy
2,000 – 7,000lm	13W-53W	280mA-1115mA	up to 155lm/W
Colour Temperature	CRI	Distributions	Lifetime Hours L70B50 @ 25°C
4000 K	80 CRI	.SY (Symmetric)	50,000hrs
MacAdam Ellipses			
5-steps			
Electrical			
Electrical Class	Surge protection	Power Cable Termination	
Class I	8Kw/10kA (standard)	ENEC approved Push-in terminal block (suitable for 1.5mm ² -2.0mm ² stranded or solid core)	
Power Cable Entry	Factory Fitted Flying Lead	Integrated Emergency	
M20 Cable gland (suitable for 6mm-13mm diameter)	1m (available as option) - number of cores dependant on luminaire configuration	1hr or 3hr self-test and DALI addressable	
Controls			
Control Protocol	Integrated PIRs	Dimming	
DALI (option)	Available as option	on/off on/dim/off (available as option)	

Typical luminaire performance

Configuration	Delivered Lumens	Circuit Power (W)	Driver Output Current (mA)	Luminaire Efficacy (lm/W)
CSV.T.1.LM0248.M1.SY	c.2,000	13	280	155
CSV.T.1.LM0348.M1.SY	c.3,000	21	455	143
CSV.T.1.LM0448.M1.SY	c.4,000	28	625	143
CSV.T.1.LM0548.M1.SY	c.5,000	36	790	139
CSV.T.1.LM0648.M1.SY	c.6,000	45	950	133
CSV.T.1.LM0748.M1.SY	c.7,000	53	1115	132

Weight kg

CSV.T 2.5-3.0
Dependant on configuration

Maximum ambient operating temperature

EM1/EM3 Versions
LM0248 - 35°C Ta
LM0348 - 35°C Ta
LM0448 - 35°C Ta
LM0548 - 30°C Ta
LM0648 - 25°C Ta
LM0748 - 25°C Ta

ORDERING DETAILS & DIMENSIONS

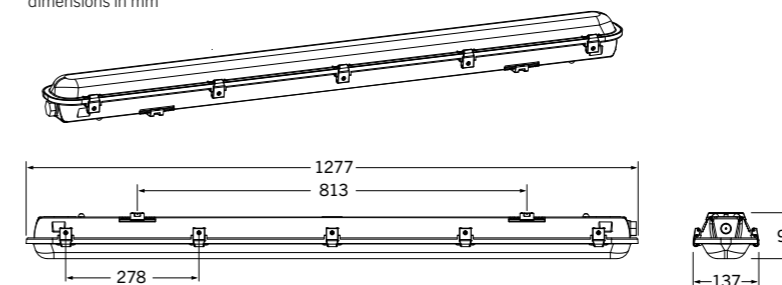
Code	Luminaire (required)						
CSV.T	CSV.T						
Code	Series (required)						
.1	Series 1						
Code	Lamp Type (required)						
.LM0248	LED light engine producing c.2,000 lm with a nominal 4000K colour temperature						
.LM0348	LED light engine producing c.3,000 lm with a nominal 4000K colour temperature						
.LM0448	LED light engine producing c.4,000 lm with a nominal 4000K colour temperature						
.LM0548	LED light engine producing c.5,000 lm with a nominal 4000K colour temperature						
.LM0648	LED light engine producing c.6,000 lm with a nominal 4000K colour temperature						
.LM0748	LED light engine producing c.7,000 lm with a nominal 4000K colour temperature						
Code	Operating Package (required)						
.M1	c.1200mm length						
Code	Optical Distribution (required)						
.SY	Symmetric						
Code	Fixing Method (required)						
.SM	Universal mounting bracket (suitable for surface and suspension mounting)						
Code	Colour (required)						
.C6	Smooth Grey (RAL7035)						
Code	Dimming Outputs (option)						
.LRD	DALI enabled driver						
Code	Controls (option)						
.H1H	Complete with HOLOSOne Bluetooth NLC wireless interior node with PIR and Daylight harvesting functionality suitable for mounting heights between 5m and 17m. Wireless range 16 meters in line of sight						
.H1L	Complete with HOLOSOne Bluetooth NLC wireless interior node with PIR and Daylight harvesting functionality suitable for mounting heights of up to 5m. Wireless range 16 meters in line of sight						
Code	Emergency (option)						
.EM1	1-Hr integral self-test DALI maintained emergency						
.EM3	3-Hr integral self-test DALI maintained emergency						
Code	Cable Entry (option)						
.FL1	1m flying lead (number of cores dependant on luminaire configuration)						
Code	Canopy (option)						
.PCL	Polycarbonate Latches						
CSV.T	.LM0248	.M1	.SY	.SM	.C6	.LRD	.H1H



Example



dimensions in mm



Note: The specifications of the Holophane luminaire, all descriptions, illustrations, drawings and specifications in the Holophane catalogue and website represent only general particulars of the goods to which they apply and shall not form part of any contract. The company reserves the right to change specifications at its discretion without prior notification or public announcement.

LED BATTEN CSVT



HOLOPHANE®

Holophane Europe Limited
Bond Avenue, Bletchley, Milton Keynes MK1 1JG United Kingdom
Telephone: +44 (0)1908 649292 UK Fax: +44 (0)1908 367618
International Fax: +44 (0)1908 363789
E-mail: info@holophane.co.uk

www.holophane.co.uk

AcuityBrands

