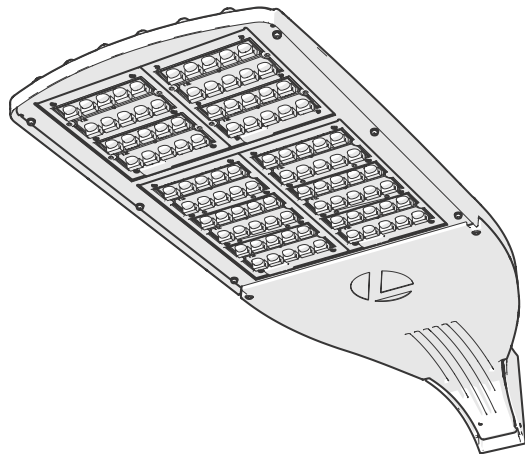
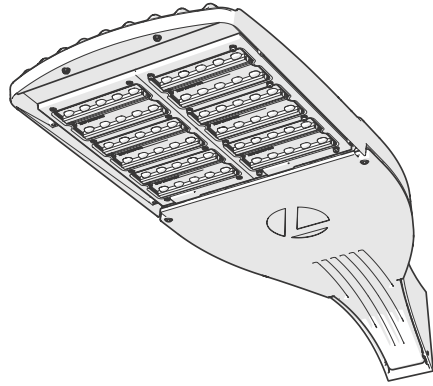
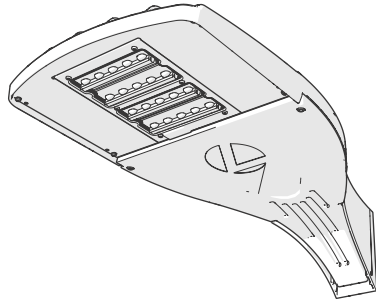
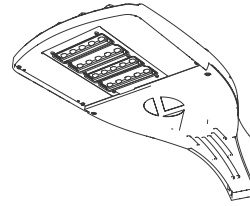


DSX0, DSX1, DSX2

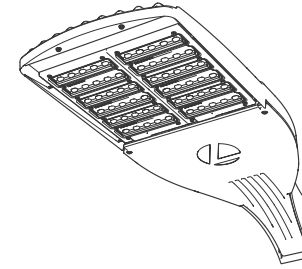


1

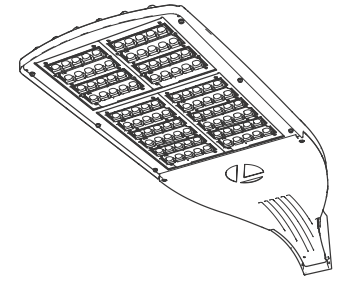
Variants / Varianten / Varianten / Varianter / Variantes / Varianter



.DSX0



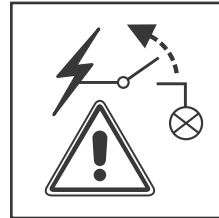
.DSX1



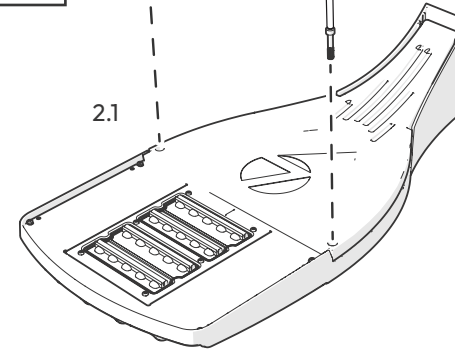
.DSX2

2

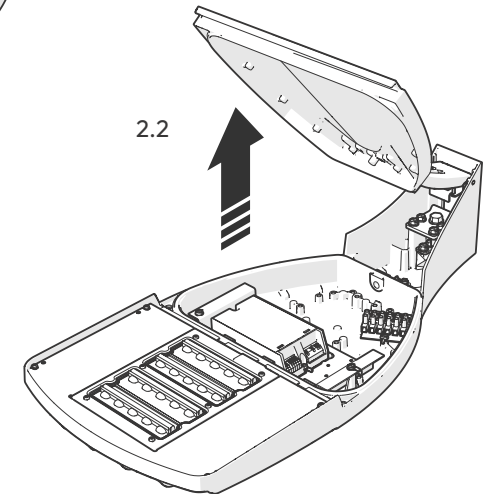
Preparation for Mounting / Vorbereitung für die Installation / voorbereiding voor installatie / förberedelse för installation /
préparation pour l'installation / forberedelse for installasjon



2.1

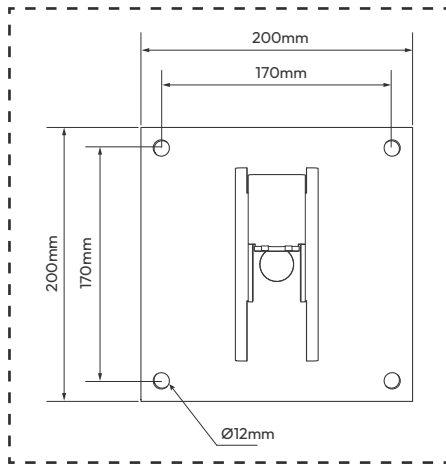


2.2



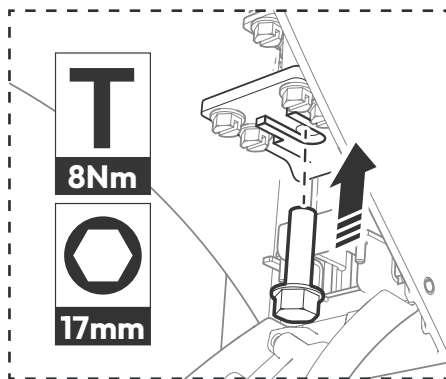
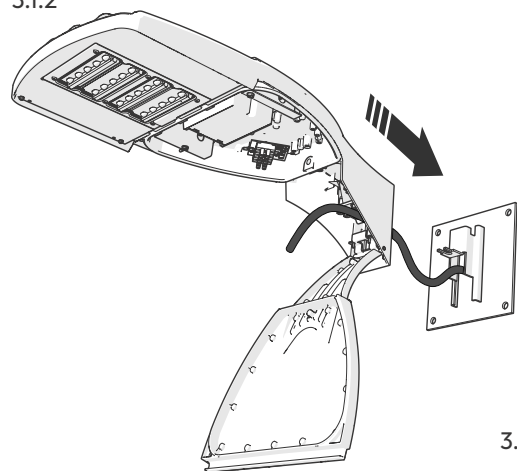
3.1 Fixing method / Befestigungssystem / Bevestigingsmethode / Fixeringsmethod / Systèmède fixation / Festemetode

3.1.1

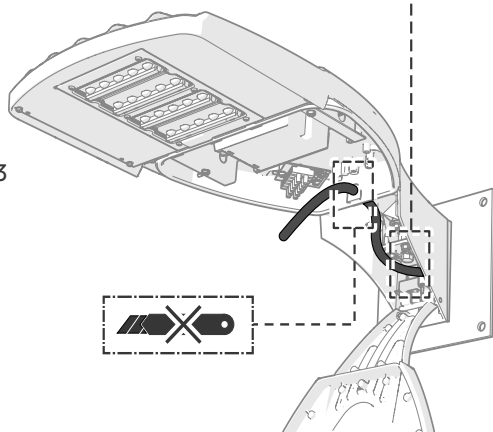


Fasteners supplied by others / Gelifert von anderen / Verstrek door anderen / Tillhandhålls av andra / Fourni par d'autres / Levert av andre.

3.1.2

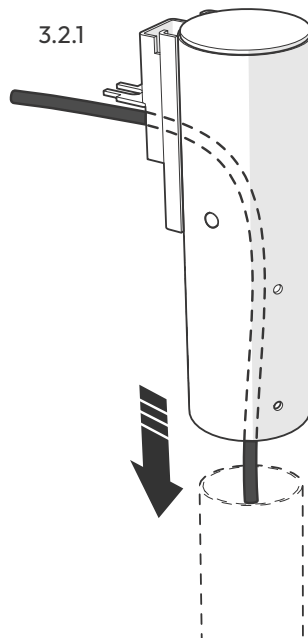


3.1.3

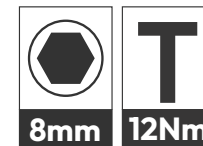
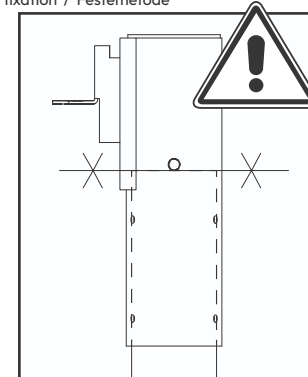
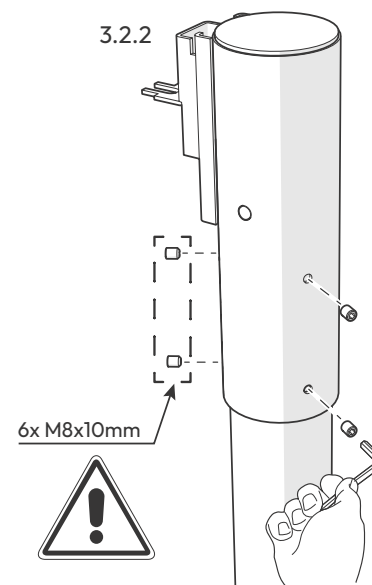


3.2 Fixing method / Befestigungssystem / Bevestigingsmethode / Fixeringsmethod / Systèmède fixation / Festemetode

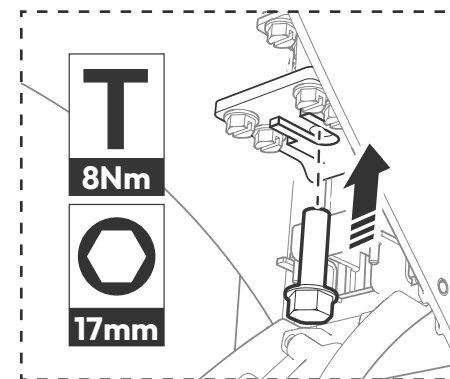
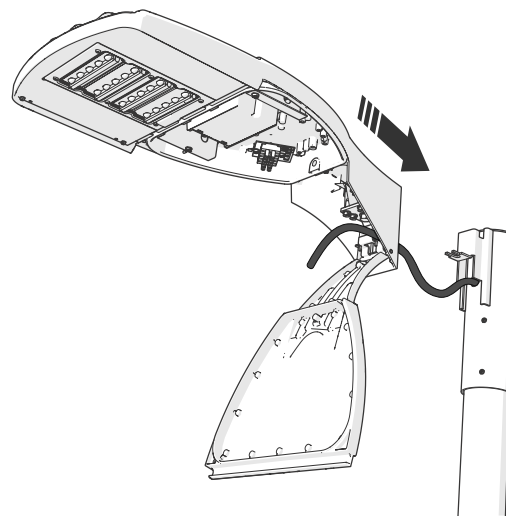
3.2.1



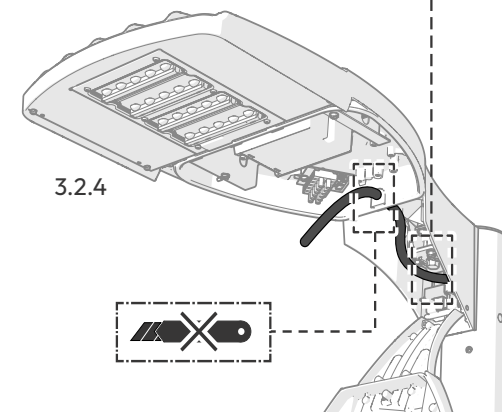
3.2.2

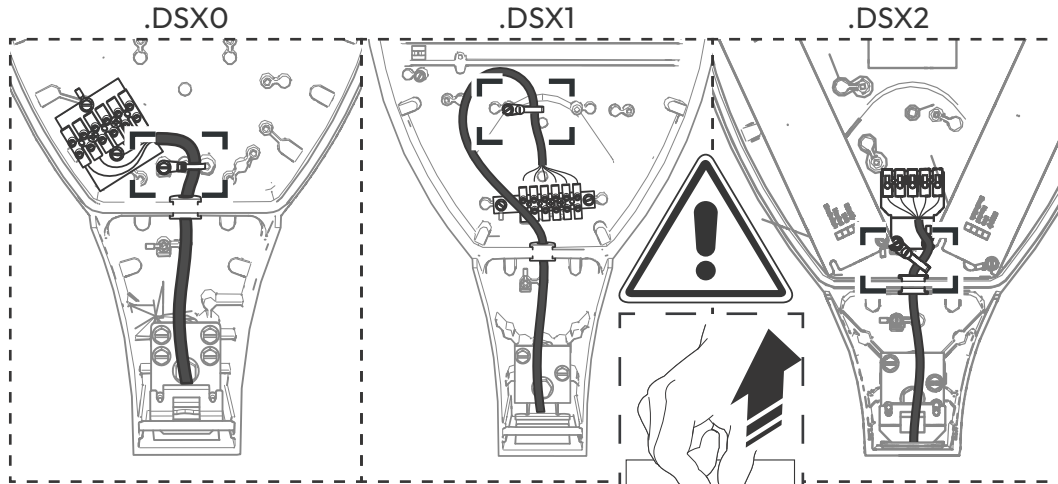


3.2.3

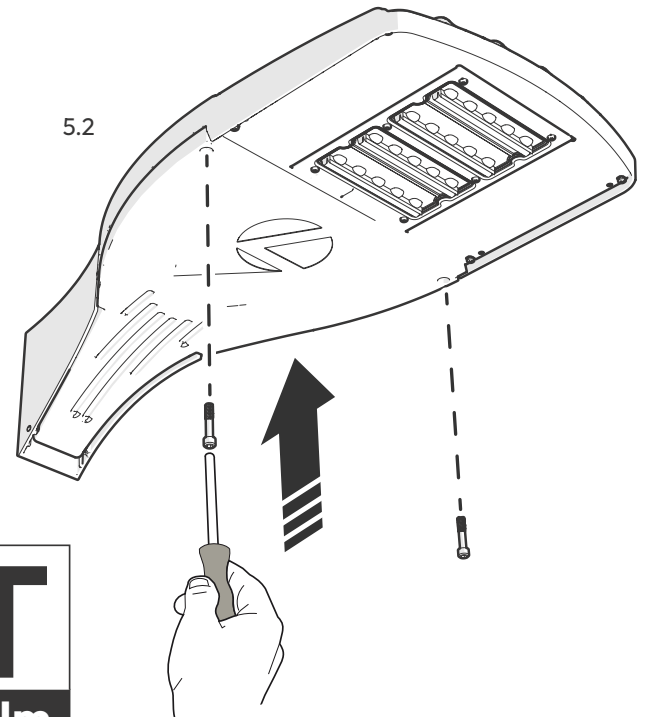
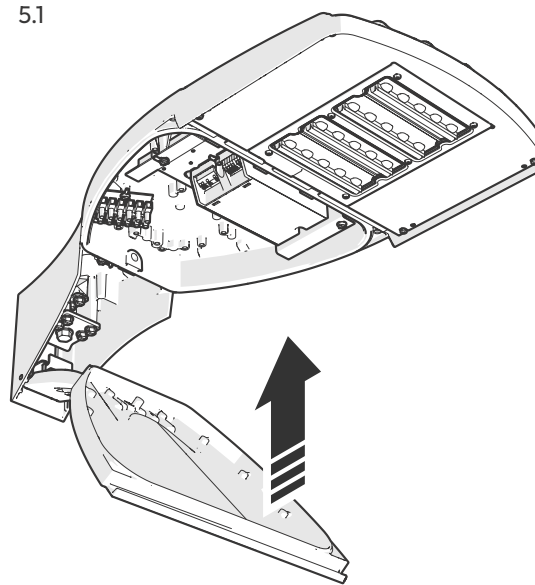
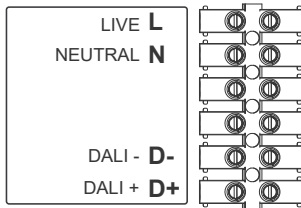
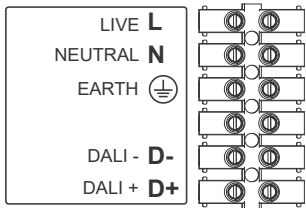
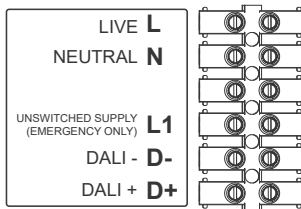
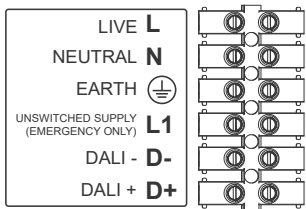
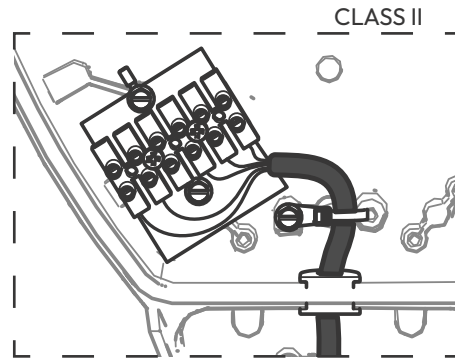
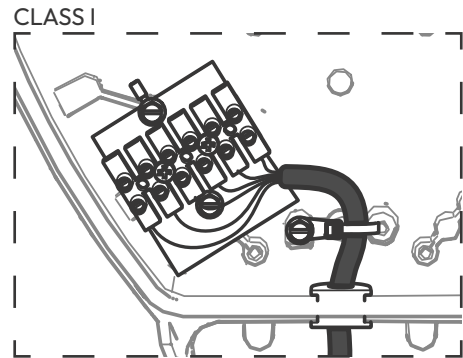


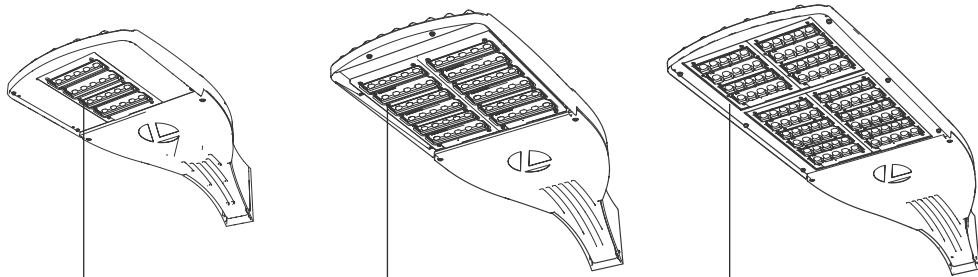
3.2.4





! Ø10.5 to Ø11.4 OVERALL CABLE DIAMETER ONLY.
 ANY OTHER CABLE SIZE MAY COMPROMISE
 THE IP RATING OF THE LUMINAIRE



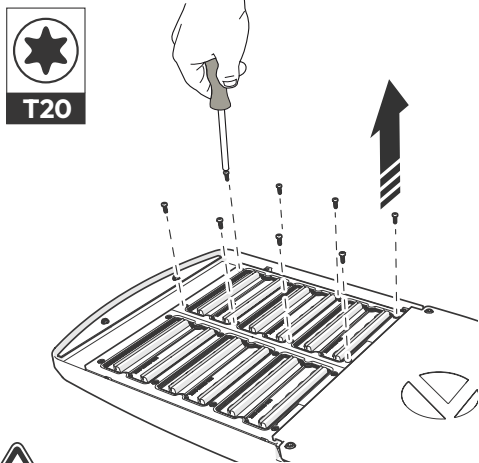


DSX0: -
DSX0.20LED.BLS
20LED Shield x1

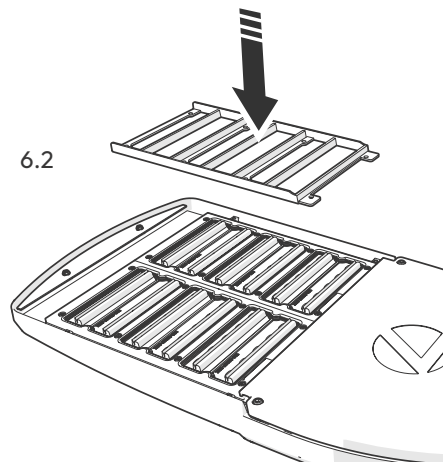
DSX1: -
DSX1.30LED.BLS
30LED Shield x1
DSX1.60LED.BLS
60LED Shield x2

DSX2: -
DSX2.100LED.BLS
30LED Shield x2
20LED Shield x2
DSX2.80LED.BLS
20LED Shield x4

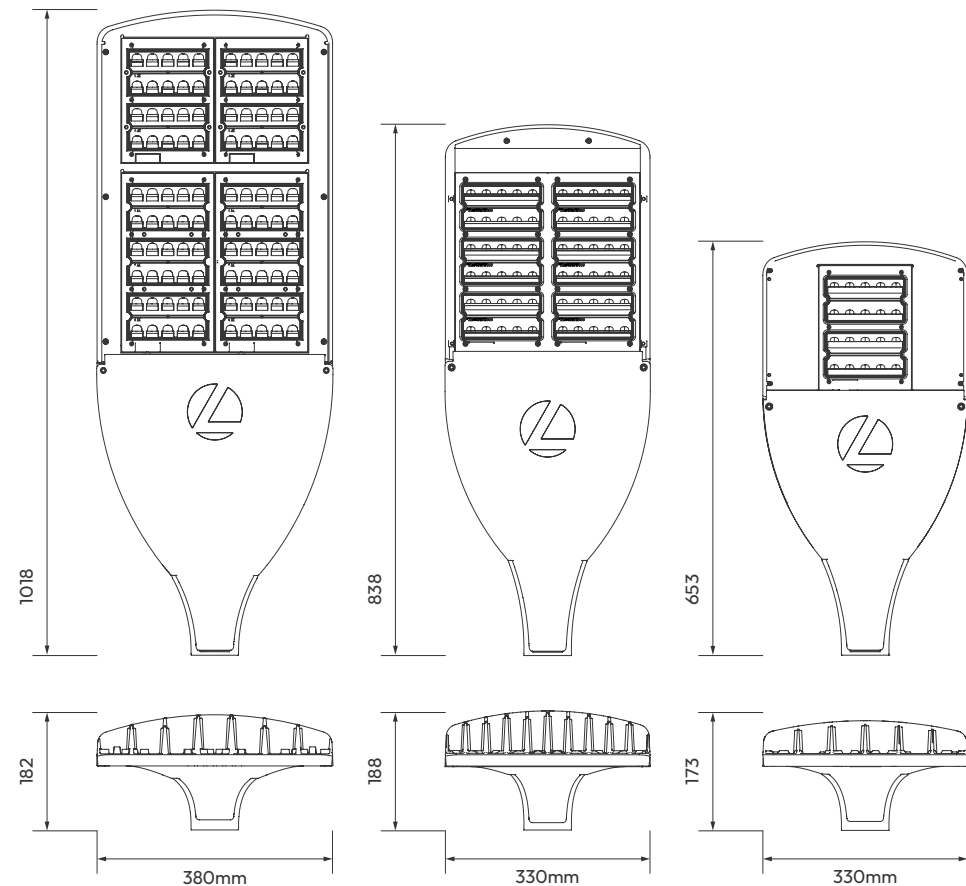
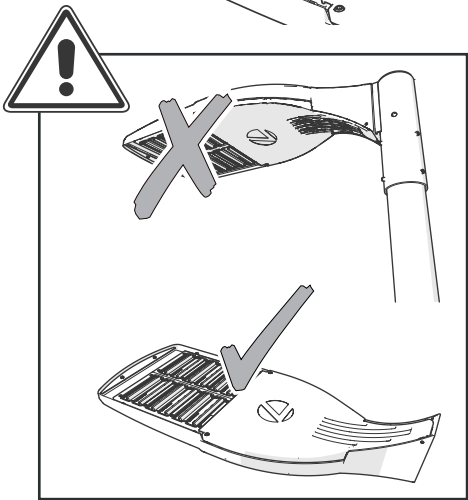
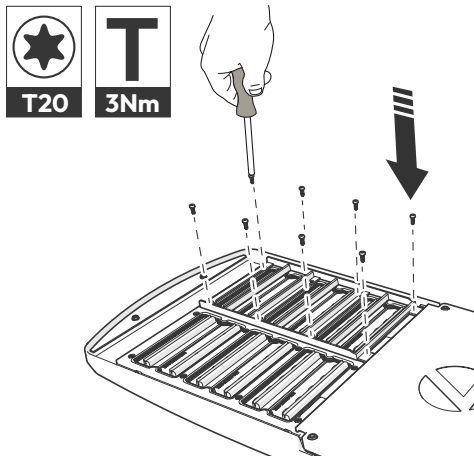
6.1



6.2



6.3



	Kg		
.DSX0	8.0Kg	IK 03	0.09m ²
.DSX1	12.2Kg	IK 03	0.09m ²
.DSX2	15.0Kg	IK 03	0.10m ²

Gear Compartment	Controls/ Photocells	Light Engines
IP65	IP65	IP66

Smart: IS 001



Holophane Europe Limited

www.holophane.co.uk info@holophane.co.uk

