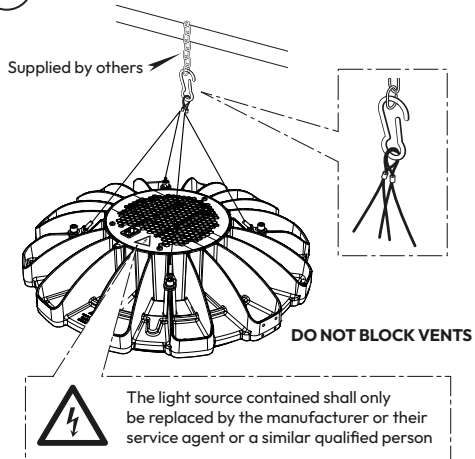


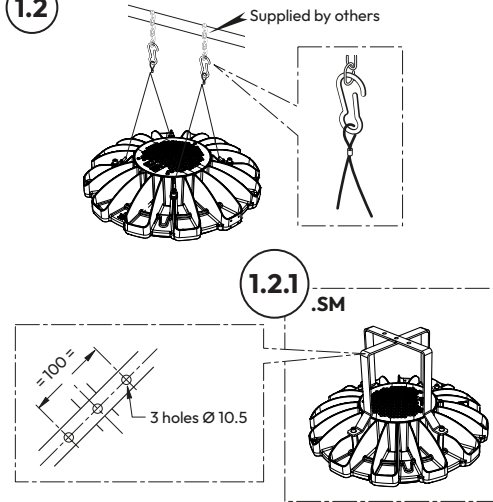
HALOPRISM



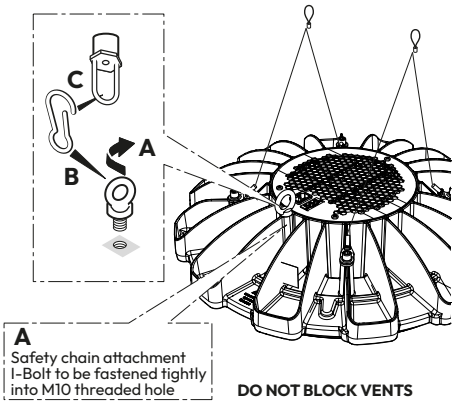
1.1



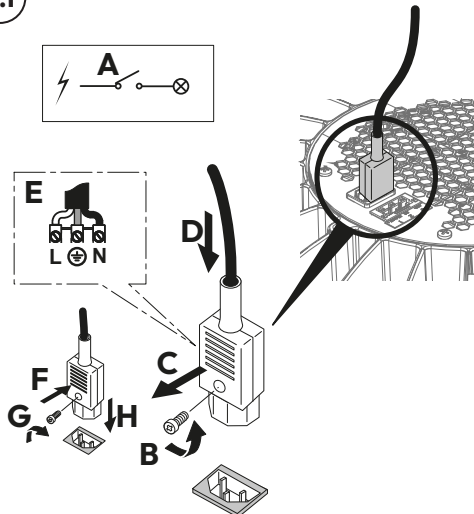
1.2



1.3 Safety Chain Attachment Option



2.1



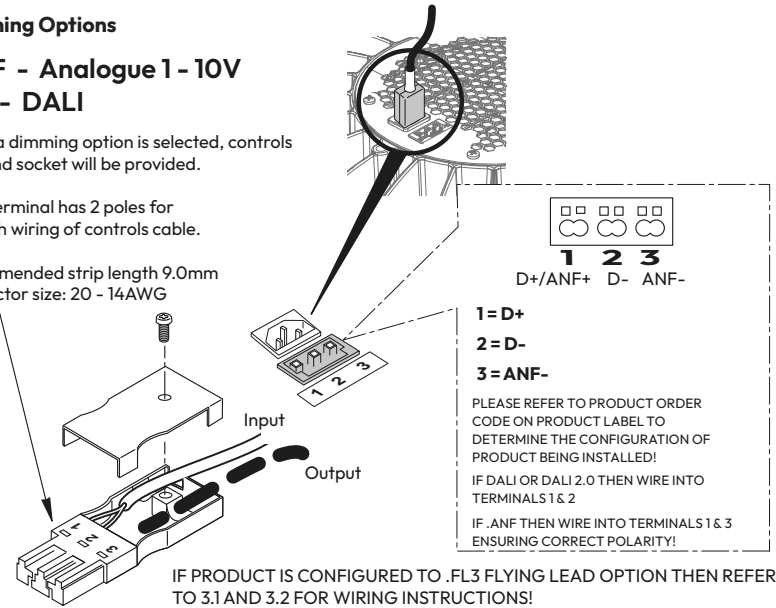
2.2 Dimming Options

.ANF - Analogue 1 - 10V
.D4 - DALI

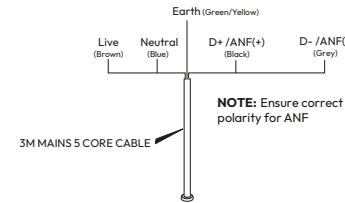
When a dimming option is selected, controls plug and socket will be provided.

Each terminal has 2 poles for through wiring of controls cable.

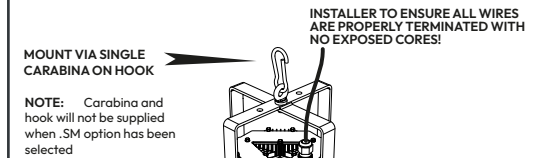
Recommended strip length 9.0mm
 Conductor size: 20 - 14AWG



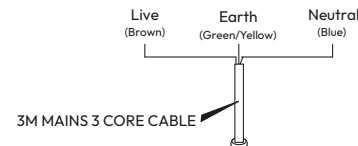
3.1 .WL2 Wet Locations and .FL3 Options Wiring



3.3 .WI and .FL3 Option Wiring



3.2 .WI with .FL3 Option Wiring



Gear Compartment		Light Engines
Standard	Wet Location	
IP20	IP65	IP65

Smart:ID IS 001



Holophane Europe Limited
 www.holophane.co.uk info@holophane.co.uk

