

PARKPACK™

UTILITY





BULKHEAD PARKPACK™ UTILITY

Parkpack Utility is a versatile luminaire suited for a range of applications from Multi-Story Car Parks to Tunnels.

Parkpack's design advantage is its' ability to offer a range of flexible mounting options, to aid easy installation, and also ensure an easily maintainable luminaire system

Future-proofing is catered for with the integration of ZD4i, enabling use with an ever expanding eco-system of smart sensors and devices.

For over 125 years Holophane has enjoyed an enviable reputation throughout the world for expertise, quality and innovation in Lighting. From the earliest days, when the company pioneered its famous glass refractor, the Holophane name has been ever present as a leader in the field of luminaire and lighting design. **PARKPACK** is a continuation of this proud tradition and builds on our heritage of designing luminaires with exceptional optical performance and thermal management which fused together deliver a solution that is future-proof and fully serviceable.

Applications

- Multi-Story Car Parks
- Canopies
- Tunnels

Overview

- Available with lumen ranges from 3,000 to 8,000 (delivered lumens).
- 5 optimised optical distributions (Square Narrow, Square Medium, Square Wide, Asymmetric Long and Long & Narrow)
- 3000K & 4000K options available.
- CRI > 70.
- Efficacies of up to 135 lpw.
- Available with integrated control and emergency options (c.300 lm in emergency mode).
- System Life – 100,000 Hrs at 45°C

TM66 CEAM-Make Rating

Preliminary Rating: 2.6 (Excellent circularity).

Approvals

CE
Complies with EN60598
IP65
-25°C to +45°C



For further information please visit the Holophane website www.holophane.co.uk

SPECIFICATION

Specification

Holophane Parkpack utilises a powder coated extruded aluminium (AL 6063-T6) body/housing combined with 2 x 10LED modules. The LED modules and body are both sealed to IP65. Heat is transferred away from the LEDs using a highly heat conductive aluminium plate. The driver and LED modules are mounted separately from each other to promote low operating temperatures and long system life. Mounting of Parkpack is facilitated using a dual position stainless steel bracket suitable for surface mounting or in conjunction with a 20/25mm BESA box. Cable entry is via either the 2 x side or top entry IP65 cable glands. Access to the gear compartment is facilitated by removal of 2 retaining screws and a snap-on/off door.

3000K or warmer must be selected for IDA dark sky certification.

Features and benefits

Exceptional Performance

- Lumen packages from 3,000 - 8,000 lumens with efficacies of up to 135 lumens per Watt.
- 5 optimised optical distributions (Square Narrow, Square Medium, Square Wide, Asymmetric Long and Long & Narrow) delivered by quality LEDs and bespoke UV stabilised PMMA optics.
- Patented Transition Zone helps to reduce perceived glare of LEDs.

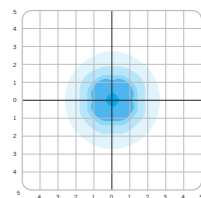
Easy Installation & Maintenance

- Flexible mounting bracket/accessories cater for a range of project requirements and make for easy installation of the luminaire.
- As standard Parkpack has IP65 cable entry points on both sides and the top of the luminaire.

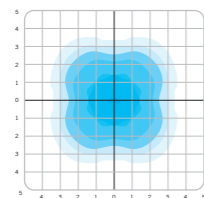
Fully Controllable

- Integrated ZD4i compatibility via the TZ02 option. Compatibility with a range of 3rd party photocells, devices and sensors.
- Integrated 1hr & 3hr emergency options.
- Compatible with Controlux Air & HOLOS Air.

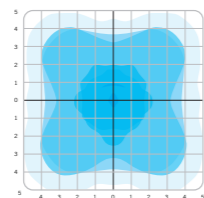
Light Distributions



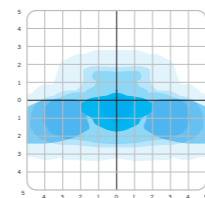
Square Narrow (.SQN)



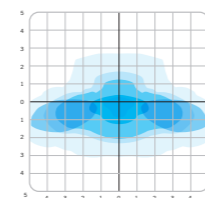
Square Medium (.SQM)



Square Wide (.SQW)



Asymmetric Long (.HA)



Long & Narrow (.NR)

SPECIFICATION

CONNECTED SOLUTIONS



The **ZD4i architecture** provides a future-proof foundation that enables users to build on whenever their site/project is ready to opt into new advances in technology. It is designed to work with industry-recognised, futureproof drivers and sensors that have the potential to increase energy efficiency and collect different types of data. By having Parkpack ZD4i ready customers can upgrade/adjust the controllability of their lighting and gather valuable data whenever they are ready.

Customer Benefits

Increased Energy Savings

Sensors and devices can be used to optimise luminaires to give greater energy savings and provide light only when it is required.

Flexibility

The D4i architecture enables the interchanging and upgrading of sensor and device options should and when the end-user pleases.

Future Proof

End-users have access to an ever expanding eco-system of devices and sensors through 3rd-party suppliers. The D4i architecture is an industry recognised platform.

HOLOS Air

HOLOS Air is a web-based, wireless control, monitoring and management system for lighting. It gives users the freedom to commission, configure and completely control their own lighting to maximise energy savings and reduce carbon emissions.



Note: image shows Parkpack with additional IoT.TZ.PIR (available separately via Holophane)



.TZ02

- Complete with 4-Pin Zhaga Socket - 'Bottom' (suitable photocell/node available from Holophane or supplied by others) with weather proof locking top.



.PL0

- Integrated microwave presence detector, suitable up to 6m, with switching-only functionality. Switches off after 20 minutes of inactivity. Not programmable.



.PL1

- Integrated PIR, suitable from 4.5m up to 9m. Dims to 30% after 10 minutes of inactivity - switches off after further 10 minutes. Remotely re-programmable with accessory HEL.PRG (purchased separately).

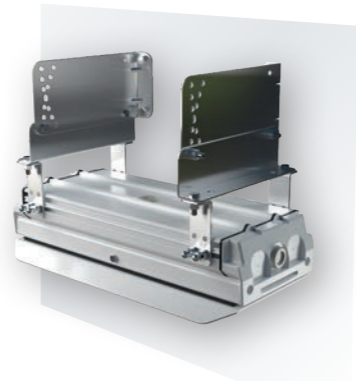


.WIL

- Integrated wireless HOLOS Air node, supports grouping, suitable up to 6m - includes PIR (Requires SER.COM.DAY or SER.COM.NIGHT commissioning).

Note: Please ensure that the selected IoT device is compatible and suitable for the respective luminaire. All installation should be completed in compliance with the respective devices installation instructions (and limitations). Holophane cannot be held responsible for the operation of its luminaires with third party devices.

PRODUCT FEATURES



Performance LEDs and optics

Parkpack Utility is available in lumen packages ranging from 3,000lm to 8,000lm in 3000K or 4000K colour temperatures.

A range of five optimised optical distributions gives flexibility to achieve class leading uniformity and lux levels.

Range of mounting options

Parkpack Utility as standard features a two position surface mount bracket allowing flexibility to allow for standard 20/25mm BESA boxes and conduit.

Additionally, adjustable wall bracket or catenary mount kits are available to suit the varying requirements of your project.



Easily maintainable

Parkpack Utility has an easily removable LED module. By removing two retaining screws the LED module can be unclipped and replaced or upgraded in situ if required.



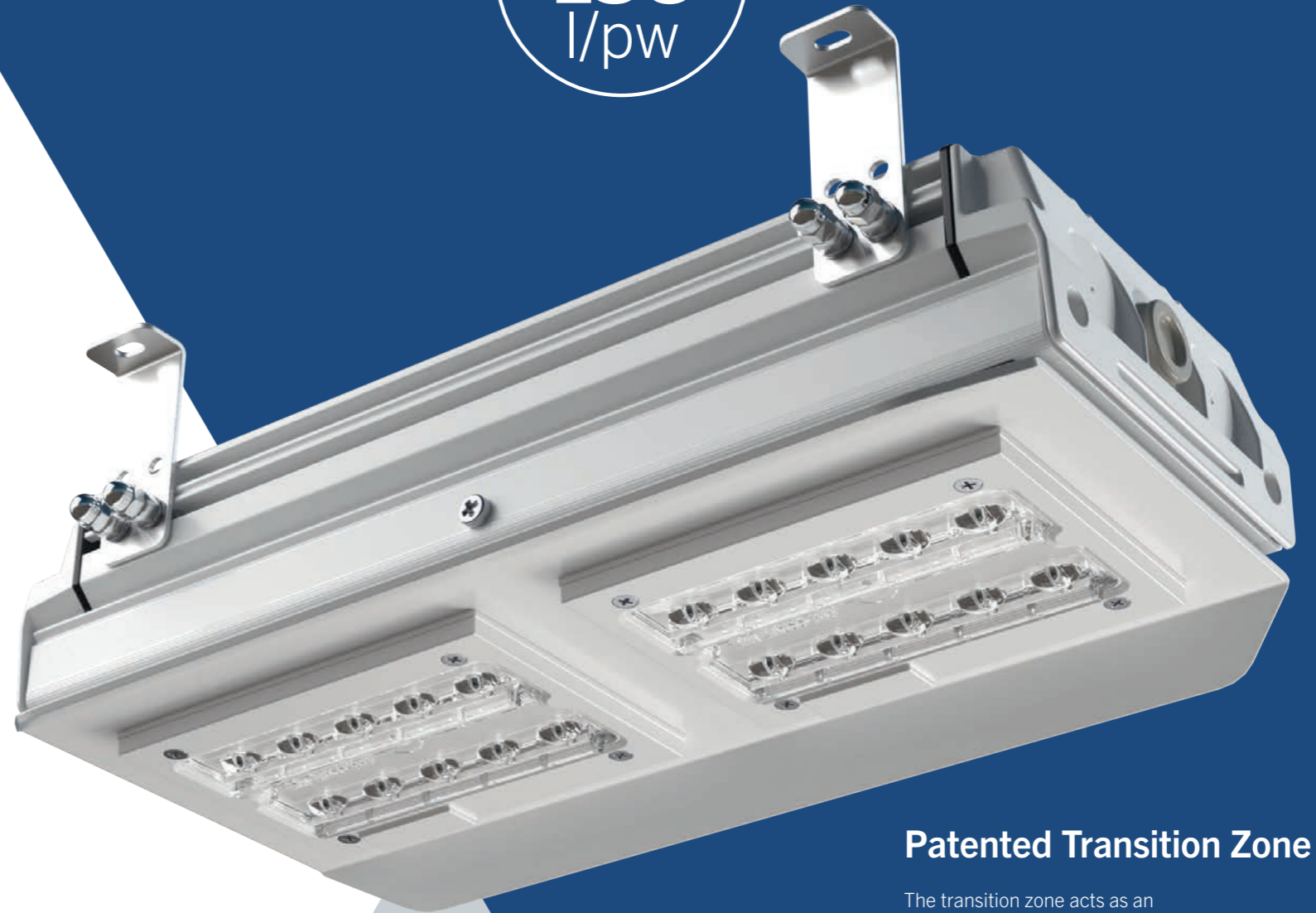
Connected

Parkpack Utility is ZD4i compatible when specified with the 4-pin Zhaga socket option (.TZ02) enabling a future proof luminaire that can be used with an ever expanding ecosystem of smart sensors and devices.



BULKHEAD PARKPACK™ UTILITY

up to
135
l/pw



Patented Transition Zone

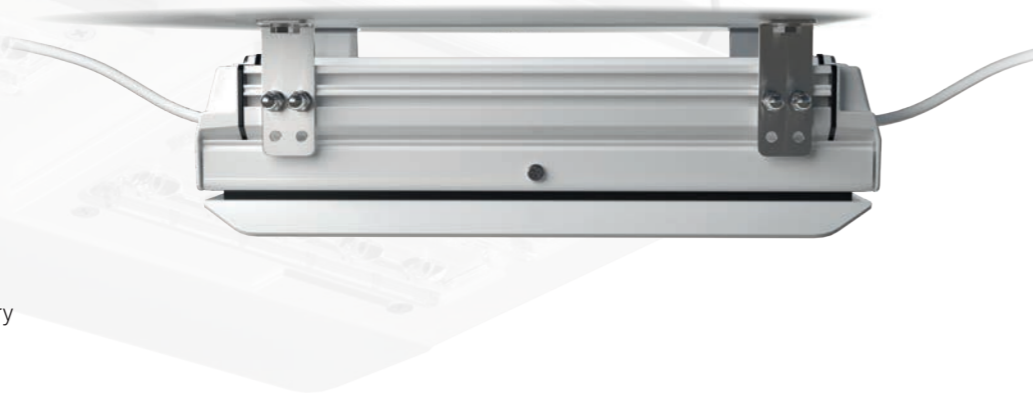
The transition zone acts as an intermediary luminous area between the brighter LEDs and the darker surfaces surrounding the luminaire. This cascade of contrast ratios drastically reduces the perception of glare and provides a softer appearance to the light source.

MOUNTING OPTIONS

Surface Mount

Specified with the **Surface Mount (.SM)** configuration, the standard adjustable bracket on Parkpack Utility is supplied in the 20mm clearance position. This enables enough access to either terminate power connection via the top cable gland of the luminaire or alternatively using either of the side entry cable glands. The luminaire can also be through-wired in this bracket position.

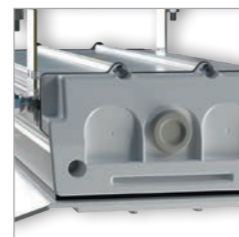
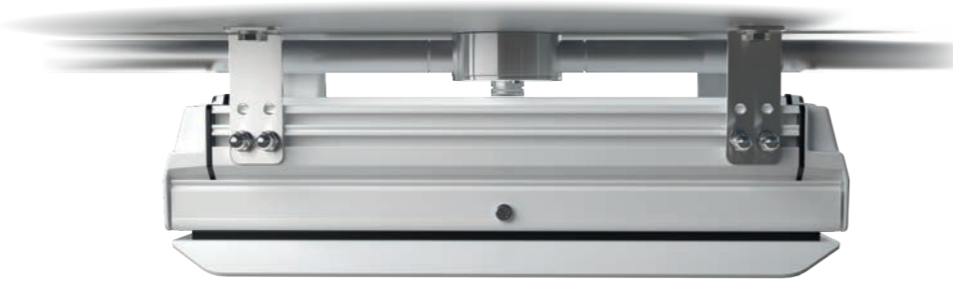
(Ceiling fixings to be specified and supplied by others)



Surface Mount (with BESA box)

Specified with the **Surface Mount (.BM)** configuration, the standard adjustable bracket on Parkpack Utility is supplied in the 40mm clearance position. This enables use and installation in conjunction with standard 20/25mm BESA boxes and cable conduit. Cable termination is achieved via the top cable entry gland.

(Ceiling fixings to be specified and supplied by others)



IP65 Cable gland with strain relief

Adjustable Wall Bracket Kit (PPK.WBK)

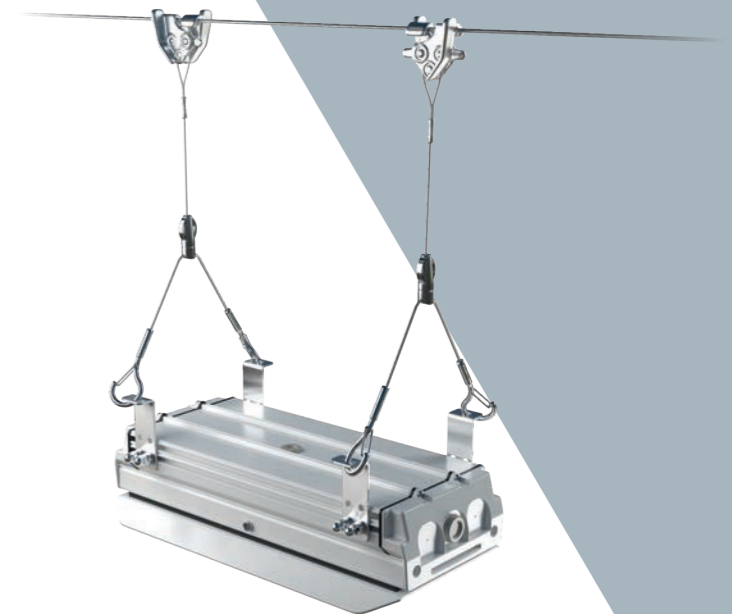
Parkpack Utility is available with an adjustable wall bracket enabling installation onto a wall and giving adjustment of 0-30° in 5° increments. The wall bracket attaches to the standard brackets supplied on the luminaire.

(Wall fixings to be specified and supplied by others)



Catenary Mount Kit (PPK.CAT)

Parkpack Utility can be used in conjunction with a catenary wire system. The accessory kit is suitable to work with 3mm catenary wire. The kit includes 2x C-clips and 2x Y-hangers with hooks (adjustable from 0.3-1m in length)



MOUNTING

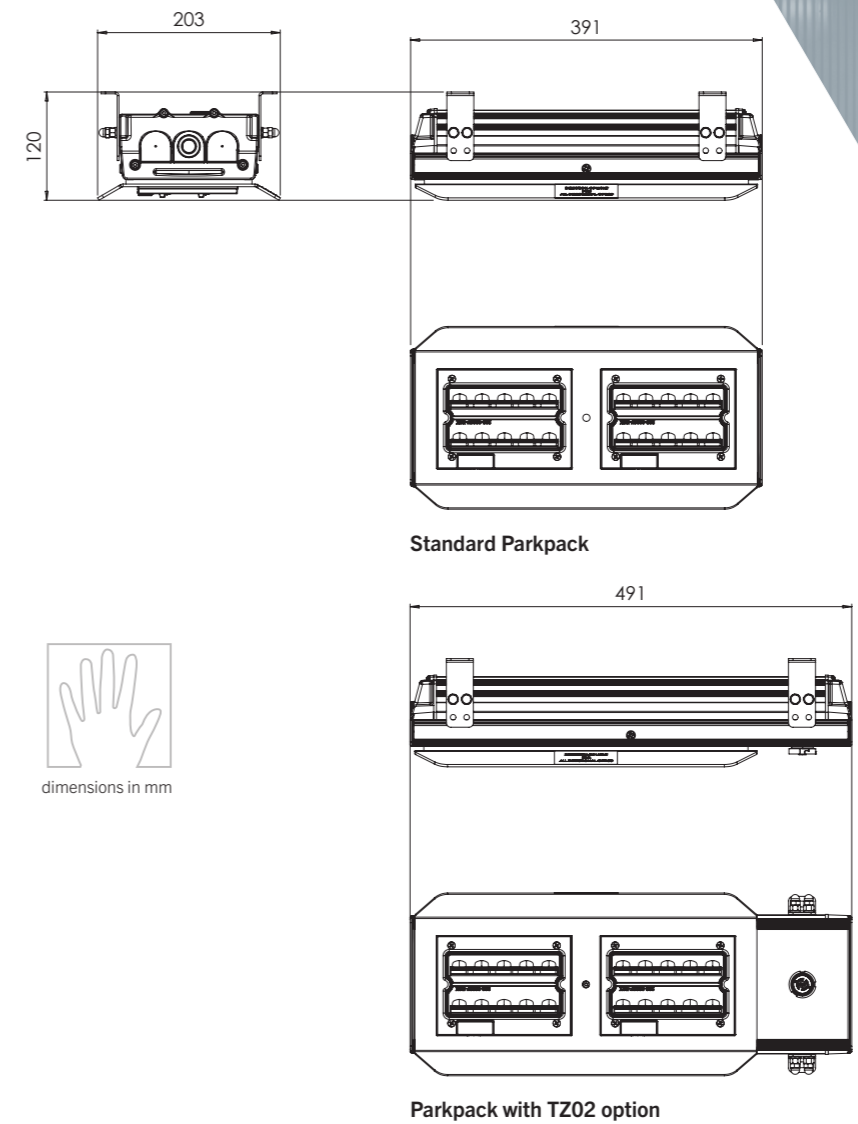
OPTIONS

ORDERING DETAILS

Code	Luminaire (required)										
PPK	Parkpack Utility										
Code	Series (required)										
.1	Series 1										
Code	Lamp Type (required)										
.LA034	LED light engine producing c.3,000 lm with a nominal 4000K colour temperature										
.LA044	LED light engine producing c.4,000 lm with a nominal 4000K colour temperature										
.LA064	LED light engine producing c.6,000 lm with a nominal 4000K colour temperature										
.LA074	LED light engine producing c.7,000 lm with a nominal 4000K colour temperature										
.LA084	LED light engine producing c.8,000 lm with a nominal 4000K colour temperature										
.LA033	LED light engine producing c.3,000 lm with a nominal 3000K colour temperature										
.LA043	LED light engine producing c.4,000 lm with a nominal 3000K colour temperature										
.LA063	LED light engine producing c.6,000 lm with a nominal 3000K colour temperature										
.LA073	LED light engine producing c.7,000 lm with a nominal 3000K colour temperature										
.LA083	LED light engine producing c.8,000 lm with a nominal 3000K colour temperature										
Code	Distribution (required)										
.SQN	Square Narrow										
.SQM	Square Medium										
.SQW	Square Wide										
.HA	Asymmetric Long										
.NR	Long & Narrow										
Code	Fixing Method (required)										
.SM	Surface Mount (20mm clearance)										
.BM	Surface mounting in conjunction with standard 20mm or 25mm BESA box conduit (40mm clearance)										
Code	Paint Finish (required)										
.C1	Smooth White (RAL9016)										
.RAL****	RAL Colour (Customer choice)										
Code	Paint Finish (option)										
.C	Enhanced Paint Finish										
Code	Voltage (option)										
.CII	Class II										
Code	Controls (option)										
.PL0	Integrated microwave presence detector, suitable up to 6m, with switching-only functionality. Switches off after 20 minutes of inactivity. Not programmable.										
.PL1	Integrated PIR, suitable up to 6m. Dims to 30% after 10 minutes of inactivity - switches off after further 10 minutes. Remotely re-programmable with accessory HEL.PRG (purchased separately).										
.WIL	Integrated wireless node, supports grouping, suitable up to 6m - includes PIR & photocell (Requires SER.COM.DAY or SER.COM.NIGHT commissioning)										
.TZ02	Complete with 4-Pin Zhaga Socket - 'Bottom' (suitable node/presence detector supplied by others) with weather proof locking top.										
.TZP	Complete with ZD4i compatible PIR for 360°, aisle and end of aisle. Suitable for mounting heights under 3m. Fixed to luminaire.										
Code	Dimming Outputs (option)										
.LRD	DALI*										
.LRT56	pre-set to dim to 50% between 12am to 6am										
.LRT66	pre-set to dim to 60% between 12am to 6am										
.LRT76	pre-set to dim to 70% between 12am to 6am										
.LRT*****	Dimming as per customer requirements										
Code	Control Gear (option)										
.CL7	Programmed to deliver 70% of the initial lumens over the life of luminaire										
.CL8	Programmed to deliver 80% of the initial lumens over the life of luminaire										
.CL9	Programmed to deliver 90% of the initial lumens over the life of luminaire										
.CL****	Customer specified programming										
Code	Emergency (option)										
.EM1	1hr integral maintained emergency										
.EM3	3hr integral maintained emergency										
PPK	.1	.LA034	.HA	.SM	.C1	.C	.CII	.WI	.LRD	.LRD	.EM1



DIMENSIONS & PERFORMANCE



*not available in conjunction with .TZ02/.TZP

accessories

Code	
PPK.WBK	Adjustable Wall Bracket
PPK.CAT	Catenary Mount Kit suitable for 3mm wire
HEL.PRG	Remote programming device. Suitable for luminaires with options PH0/PL1/PH1 PIR devices. Programming range up to 20m.

Note: The specifications of the Holophane luminaire, all descriptions, illustrations, drawings and specifications in the Holophane catalogue and website represent only general particulars of the goods to which they apply and shall not form part of any contract. The company reserves the right to change specifications at its discretion without prior notification or public announcement.

Typical luminaire performance

Configuration	Delivered Lumens	Power Usage (W)	Luminaire Efficacy (lpw)	Rated Life of LED Module (L70B50 @tq 20°C)
PPK.1.LA03X	3,000	25	120	100,000 hrs
PPK.1.LA04X	4,000	36	111	100,000 hrs
PPK.1.LA06X	6,000	45	133	100,000 hrs
PPK.1.LA07X	7,000	57	123	100,000 hrs
PPK.1.LA08X	8,000	71	113	100,000 hrs

Weight kg

PPK	4.9
-----	-----

Lumen data is considered to be representative of the configuration shown, and may vary, with a tolerance on flux of +/- 7% (typical of LED manufacturers data) and luminaire power of +/- 5%.



HOLOPHANE®

Holophane Europe Limited
Bond Avenue, Bletchley, Milton Keynes MK1 1JG United Kingdom
Telephone: +44 (0)1908 649292 UK Fax: +44 (0)1908 367618
International Fax: +44 (0)1908 363789
E-mail: info@holophane.co.uk

www.holophane.co.uk

