

SIGNATURE™




HOLOPHANE®

DESIGN-INSPIRED LANDSCAPE™

Sculpture by day – beacon of comfort by night, the new SIGNATURE™ family brings an elegant sense of style to any outdoor pedestrian space.

With sleek lines and simple silhouettes, these LED luminaires transform common areas like courtyards, outdoor retail locations, universities and corporate campuses into thriving night-time environments.



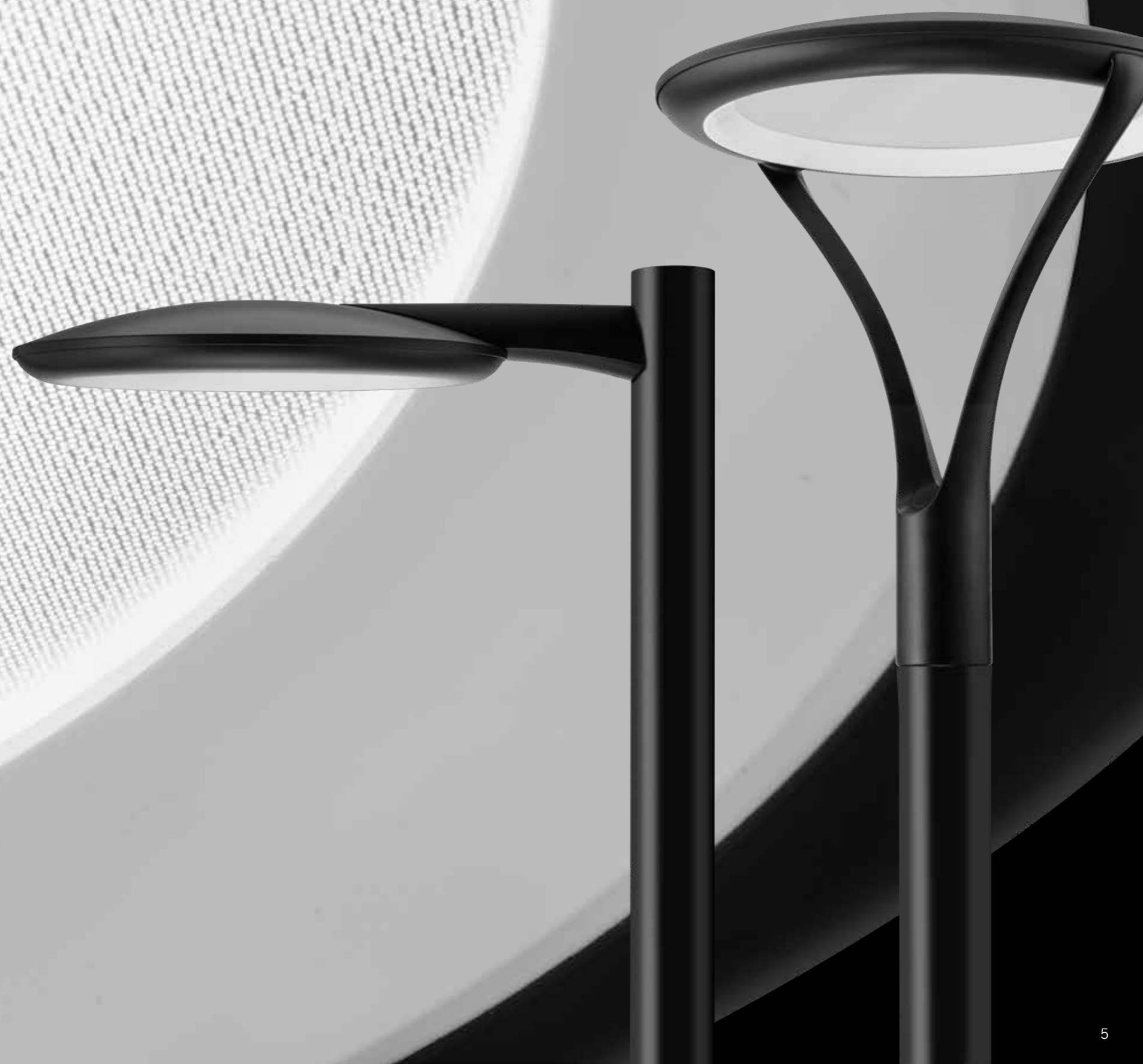
VISUAL COMFORT

Pedestrian-friendly environments demand a unique set of criteria that differs from other outdoor spaces. Driven by lower column heights, most luminaires fail to provide the visual comfort that people seek. Using cutting-edge lighting technology and a revolutionary new optical ink, the SIGNATURE waveguide provides smooth, uniform lighting from a surprisingly soft light source.

TM66 CEAM-Make Rating

Preliminary Rating: 2.2

(Definite/substantial progress to circularity).





PATENT-PENDING TRANSITION ZONE TECHNOLOGY

The most important element in this visually comfortable luminaire is the patent-pending transition zone which provides an intermediary luminous area between the brighter waveguide and the dark night sky. This cascade of contrast ratios drastically reduces the perception of glare and provides a softer appearance to the light source.

RECESSED LIGHT SOURCE

Tucked neatly up into the luminaire, the luminous surface becomes invisible to anyone outside the illuminated area causing the nightscape to become visually quiet.

UNIFORMLY LUMINOUS WAVEGUIDE

The SIGNATURE light engine is completely uniform without pixelation found in back-lit diffusers. New ink technology provides wide, uniform distributions while remaining uniformly luminous in appearance.

AREA LIGHTING

SIGNATURE POST TOP
SIGNATURE ARM MOUNT



SIGNATURE POST TOP

Architecturally-inspired shapes embody the grace and strength of the SIGNATURE family in the cornerstone Post Top luminaire. The twin copper-core cast aluminium arms support the slender superstructure creating a beautiful sculpture by day which transforms into a beacon of comfort by night. Triangular arms redirect reflections maintaining its visually quiet appearance.



SIGNATURE ARM MOUNT

The SIGNATURE Arm Mount is a perfect partner to the Post Top for pedestrian-friendly illumination along pathways and property frontages. The arm is engineered with a hidden wiring compartment for a clean and sleek marriage with the column.



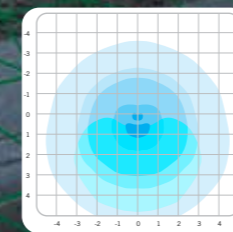


DISTRIBUTION

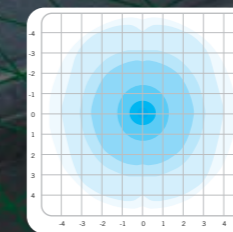
SIGNATURE area luminaires are available in three different distributions: symmetric for centrally located columns, asymmetrical for perimeter locations, and pathway to maximise column spacing along sidewalks or pathways. These photometrics provide wide coverage with smooth distributions of light without any striations on the ground.

An integrated back-light shield is available for locations where spill light is unacceptable.

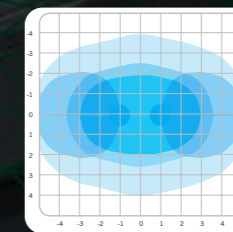
Light Distributions



Asymmetric (.AY)



Symmetric (.SY)



Long & Narrow (.NR)



SITE LIGHTING

SIGNATURE BOLLARD



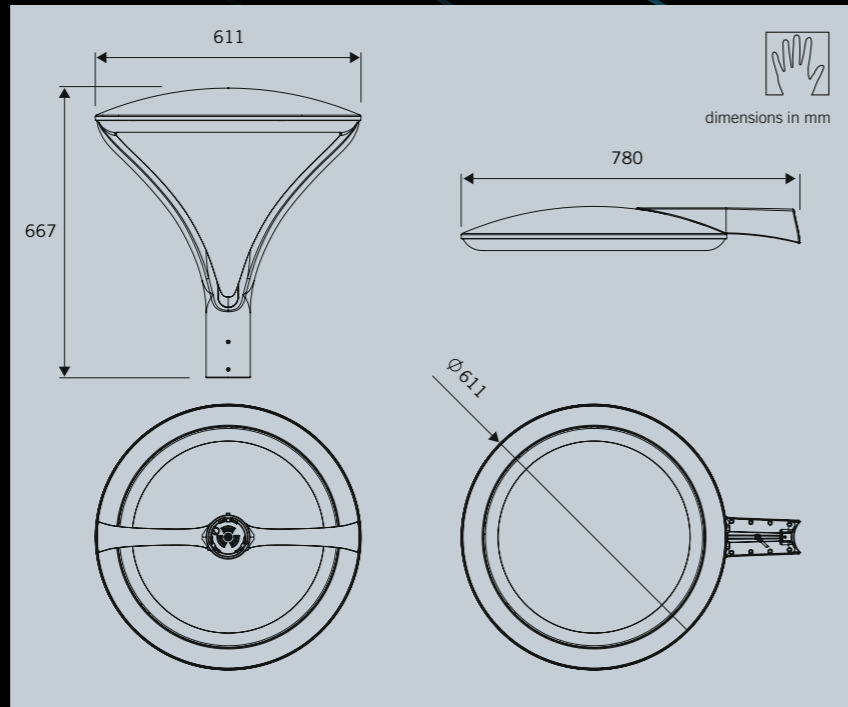
SIGNATURE BOLLARD

With an equally elegant design, the SIGNATURE Bollard truly captures the imagination allowing nearly unlimited opportunities for the perfect Design-Inspired Landscape™. While creating a cohesive family look, the bollard ties the space together with specific design elements to match the look of the SIGNATURE Post Top and Arm Mount. With both symmetric and asymmetric distributions, you can put the light where you need it.

DIMENSIONS & PERFORMANCE



POST-TOP & SIDE-ARM



Performance

Configuration	Delivered Lumens	Power Usage (W)	Drive Current (mA)	Luminaire Efficacy (lpw)	Rated Life of LED Module (L70B50 @tq 25°C)
Signature post top / side arm					
SIG.1.LA03X	c.3,000	23	250	130	100,000 hrs
SIG.1.LA05X	c.5,000	35	385	142	100,000 hrs
SIG.1.LA07X	c.7,000	50	550	140	100,000 hrs
SIG.1.LA011X	c.11,000	82	900	134	100,000 hrs
SIG.1.LA014X	c.14,000	95	1050	147	100,000 hrs

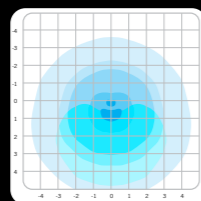
Weight kg

SE	16.1
VB1	17.2

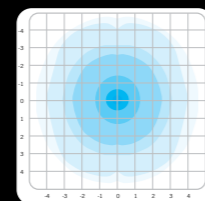
Windage m²

SE	0.05
VB1	0.11

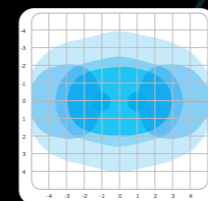
Light Distributions



Asymmetric (.AY)



Symmetric (.SY)

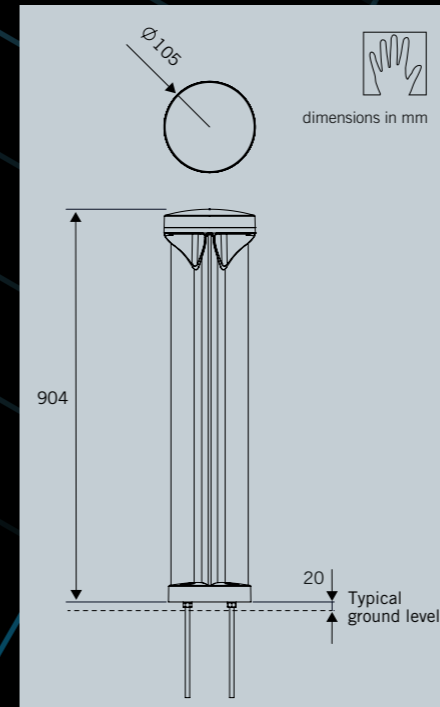


Long & Narrow (.NR)

3000K or warmer must be selected for IDA dark sky certification.



BOLLARD



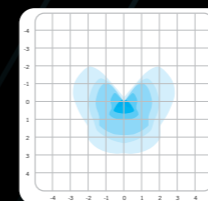
Performance

Configuration	Delivered Lumens	Power Usage (W)	Drive Current (mA)	Luminaire Efficacy (lpw)	Rated Life of LED Module (L70B50 @tq 25°C)
Signature bollard					
SGB.1.LA1X.AY	c.1,000	12	430	80	100,000 hrs
SGB.1.LA2X.AY	c.2,000	18	650	77	100,000 hrs
SGB.1.LA1X.SY	c.1,000	11	200	88	100,000 hrs
SGB.1.LA2X.SY	c.2,000	29	560	90	100,000 hrs

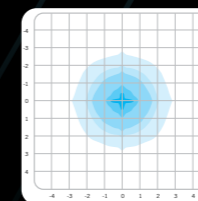
Weight kg

SGB	8.5
-----	-----

Light Distributions



Asymmetric (.AY)



Symmetric (.SY)

3000K or warmer must be selected for IDA dark sky certification.

Lumen data is considered to be representative of the configuration shown, and may vary, with a tolerance on flux of +/- 7% (typical of LED manufacturer's data) and luminaire power of +/- 5%.

ORDERING DETAILS

Code	Luminaire (required)										
SIG	Signature										
Code	Series (required)										
.1	Series 1										
Code	Lamp Type (required)										
.LA032	LED light engine producing c.3,000 lm with a nominal 2700K colour temperature										
.LA052	LED light engine producing c.5,000 lm with a nominal 2700K colour temperature										
.LA072	LED light engine producing c.7,000 lm with a nominal 2700K colour temperature										
.LA112	LED light engine producing c.11,000 lm with a nominal 2700K colour temperature										
.LA142	LED light engine producing c.14,000 lm with a nominal 2700K colour temperature										
.LA033	LED light engine producing c.3,000 lm with a nominal 3000K colour temperature										
.LA053	LED light engine producing c.5,000 lm with a nominal 3000K colour temperature										
.LA073	LED light engine producing c.7,000 lm with a nominal 3000K colour temperature										
.LA113	LED light engine producing c.11,000 lm with a nominal 3000K colour temperature										
.LA143	LED light engine producing c.14,000 lm with a nominal 3000K colour temperature										
.LA034	LED light engine producing c.3,000 lm with a nominal 4000K colour temperature										
.LA054	LED light engine producing c.5,000 lm with a nominal 4000K colour temperature										
.LA074	LED light engine producing c.7,000 lm with a nominal 4000K colour temperature										
.LA114	LED light engine producing c.11,000 lm with a nominal 4000K colour temperature										
.LA144	LED light engine producing c.14,000 lm with a nominal 4000K colour temperature										
Code	Distribution (required)										
.AY	Asymmetric										
.SY	Symmetric										
.NR	Long & Narrow										
Code	Mounting (required)										
.SE	Side arm										
.VB1	Post Top Mount 76mm or 60mm										
Code	Colour (required)										
.C1	Smooth White (RAL9016)										
.C4	Graphite (RAL 7011)										
.C6	Smooth Grey (RAL7035)										
.C7	Black (RAL9005)										
.C9	Metallic Silver (RAL9006)										
.RAL****	RAL Colour (Customer choice)										
Code	Paint Finish (option)										
.C	Enhanced Paint Finish										
Code	Photocell (option)										
.TSZ	Complete with miniature 70 lux factory fitted photocell										
.TSZA	Complete with miniature 55 lux factory fitted photocell										
.TSZB	Complete with miniature 35 lux factory fitted photocell										
.TZ01	Complete with 4-Pin Zhaga Socket - "Top" (suitable photocell/node supplied by others with weather proof locking top)										
Code	Dimming Outputs (option)										
.LRD	DALI										
.LRT*****	Dimming as per customer requirements										
Code	Control Gear (option)										
.CL7	Programmed to deliver 70% of the initial lumens over the life of the luminaire										
.CL8	Programmed to deliver 80% of the initial lumens over the life of the luminaire										
.CL9	Programmed to deliver 90% of the initial lumens over the life of the luminaire										
Code	Voltage (option)										
.CII	Class II										
Code	Auxiliary Circuit (option)										
.CPROTEC	10KV surge protection										
Code	Cable Entry (option) max length catered for										
.FL451 to	4 metres of (0.75mm ² - SE/0.5mm ² - VB1) 5 core single cable "flex"										
.FL1051	10 metres of (0.75mm ² - SE/0.5mm ² - VB1) 5 core single cable "flex"										
SIG	.1	.LA032	.AY	.SE	.C1	.C	.TSZ	.LRD	.CL7	.CII	.CPROTEC



Example

Accessories

Code	
SIG.BLS	Signature back-light shield
HEL.IP68C.5W	IP68 Connector (Suitable for 5-core cable)

* Not available with .LRD

Code	Luminaire (required)						
SGB	Signature Bollard						
Code	Series (required)						
.1	Series 1						
Code	Lamp Type (required)						
.LA012	LED light engine producing c.1,000 lm with a nominal 2700K colour temperature						
.LA022	LED light engine producing c.2,000 lm with a nominal 2700K colour temperature						
.LA013	LED light engine producing c.1,000 lm with a nominal 3000K colour temperature						
.LA023	LED light engine producing c.2,000 lm with a nominal 3000K colour temperature						
.LA014	LED light engine producing c.1,000 lm with a nominal 4000K colour temperature						
.LA024	LED light engine producing c.2,000 lm with a nominal 4000K colour temperature						
Code	Distribution (required)						
.AY	Asymmetric						
.SY	Symmetric						
Code	Colour (required)						
.C1	Smooth White (RAL9016)						
.C4	Graphite (RAL 7011)						
.C6	Smooth Grey (RAL7035)						
.C7	Black (RAL9005)						
.C9	Metallic Silver (RAL9006)						
.RAL****	RAL Colour (Customer choice)						
Code	Paint Finish - 3 (option)						
.C	Enhanced Paint Finish						
Code	Dimming Outputs (option)						
.LRD	DALI						
.LRT*****	Dimming as per customer requirements						
Code	Emergency (option)						
.EM1	1-hour maintained integrated emergency						
.EM3	3-hour maintained integrated emergency						
SGB	.1	.LA012	.AY	.C1	.C	.LRD	.EM1



Example

Accessories

Code	
SGB.ROOT	Signature Bollard Foundation Cage
SGB.FT	Signature Bollard Fixing Kit
HEL.IP68C.5W	IP68 Connector (Suitable for 5-core cable)

Note: The specifications of the Holophane luminaire, all descriptions, illustrations, drawings and specifications in the Holophane catalogue and website represent only general particulars of the goods to which they apply and shall not form part of any contract. The company reserves the right to change specifications at its discretion without prior notification or public announcement.



HOLOPHANE[®]

Holophane Europe Limited
Bond Avenue, Bletchley, Milton Keynes MK1 1JG United Kingdom
Telephone: +44 (0)1908 649292 UK Fax: +44 (0)1908 367618
International Fax: +44 (0)1908 363789
E-mail: info@holophane.co.uk

www.holophane.co.uk

AcuityBrands.
Expanding the boundaries of lighting™

